



TRANSICOLD

Container Refrigeration Unit

Models

69NT20-284

69NT40-461

69NT40-464

**SERVICE
PARTS LIST**



TRANSICOLD

SERVICE PARTS LIST CONTAINER REFRIGERATION UNIT MODELS 69NT20-284 69NT40-461 & 69NT40-464

CONTENTS

Introduction	i
Ordering Instructions	i
Letter Designations	i
Model Chart	i
1. Quick List – Clamps, Filter-drier, Fuse, Ty-raps, And Wire Terminals	1
2. Tools	1
3. Refrigeration Unit Assembly	2
3.1 Refrigeration Unit – Front	2
3.2 Control Box Door	4
3.3 Control Box	6
3.4 Control Box – High Voltage Shield Removed	8
3.5 Condenser Fan Motor And Coil Section	10
3.6 Water-Cooled Condenser/Receiver And Tubing Section	12
3.7 Evaporator Fan Motor And Access Panel Section	14
3.8 Evaporator Coil Section – Rear Panels Removed	16
3.9 Evaporator Coil Section – Rear Panels Attached	17
3.10 Recording Thermometer (Partlow)	20
3.11 Recording Thermometer (Saginomiya)	21
3.12 Recording Thermometer (Fuji Kiki)	22
3.13 Thermostatic Expansion Valve – Alco	23
3.14 Suction Solenoid Valve	24
3.15 Modulating Solenoid Valve	25
3.16 Compressor Mounting And Gauges	26
3.17 Voltage Option And Power Transformer	28
3.18 Labels and Decals	30
4. Compressor – Motor Assembly	32
4.1 Service Replacement Compressor	33
4.2 Terminal Mounting And Junction Box Group	33
4.3 Service Valve Group	33
4.4 Compressor – Motor Body Group	33
4.5 Pump End Group	34
4.6 Crankshaft, Rod And Piston Group	34
4.7 Valve Plate Group	35
4.8 Gasket Set	36



SERVICE PARTS LIST

INTRODUCTION

This parts list identifies service replacement parts for the Carrier Transicold Container Models listed in the Model Chart below.

ORDERING INSTRUCTIONS

All orders and inquiries for parts must include: Model, Unit Serial Number, Part Number, description of part as shown on list and quantity required. Address all correspondence for parts to the following address:

CARRIER TRANSICOLD DIVISION
Replacement Component Group
TR-20, P.O. Box 4805
Syracuse, New York 13221

LETTER DESIGNATIONS

The following letter designations are used to classify parts throughout this list:

<p>A/R <i>As Required.</i></p> <p>NLO <i>No Longer Offered.</i></p> <p>NS <i>Not Shown in the illustration.</i></p> <p>NSA <i>Non-Stock Assembly</i> – order components listed under the assembly.</p> <p>NSI <i>Non-Stock Item</i> – may be available on special order.</p> <p>NSS <i>Not Sold Separately</i> – order next higher assembly or kit.</p>	<p>P-- <i>Suffix P--</i> added to part number means part is available in packaged quantity only. Example: P/N34-00373-01P10 is a package of 10 P/N 34-00373-01. Use part number and P-- suffix when ordering.</p> <p>PL <i>Purchase Locally.</i></p> <p>SST <i>Stainless Steel</i> – 300 Series unless otherwise specified.</p> <p>SV <i>Suffix SV</i> – added to part number designates service replacement part.</p>
---	--

MODEL CHART

MODELS	Hinged Rear Panels	Two Speed Evaporator Fan Motors	Water-Cooled Condenser	Receiver	Power Transformer	Suction & Discharge Gauges	Dual Voltage Compressor	Heat Exchanger
69NT20-284	X	X	–	–	X	X	–	–
69NT20-284-1	–	–	–	–	–	–	–	–
69NT20-284-2	–	–	–	–	–	–	–	–
69NT20-284-3	X	–	X	–	–	–	X	–
69NT40-461-7	–	–	–	X	–	–	X	–
69NT40-461-8	–	–	–	X	–	–	X	–
69NT40-464	–	–	A	–	–	–	X	–
69NT40-464-1	–	–	A	–	–	X	X	–
69NT40-464-2	–	–	A	–	–	–	X	–
69NT40-464-3	X	X	X	–	X	X	–	–
69NT40-464-4	X	X	–	–	X	X	–	–
69NT40-464-5	–	–	A	–	–	–	X	–
69NT40-464-7	–	–	–	X	–	–	X	C
69NT40-464-8	–	–	A	–	–	–	X	–
69NT40-464-9	–	–	A	–	–	–	X	C
69NT40-464-10	–	–	–	X	–	–	–	–
69NT40-464-12	–	–	A	–	–	–	–	–
69NT40-464-15	–	–	A	–	–	–	X	–

- A – Provision for water-cooled condenser. If water-cooled condenser is added, refrigerant charge will change.
- B – Provision for step-up power transformer.
- C – Provision for heat exchanger.
- X – Designates item provided.

PART NO.	DESCRIPTION
----------	-------------

1. QUICK LIST -- CLAMPS, FILTER-DRIER, FUSE, TY-RAPS, AND WIRE TERMINALS

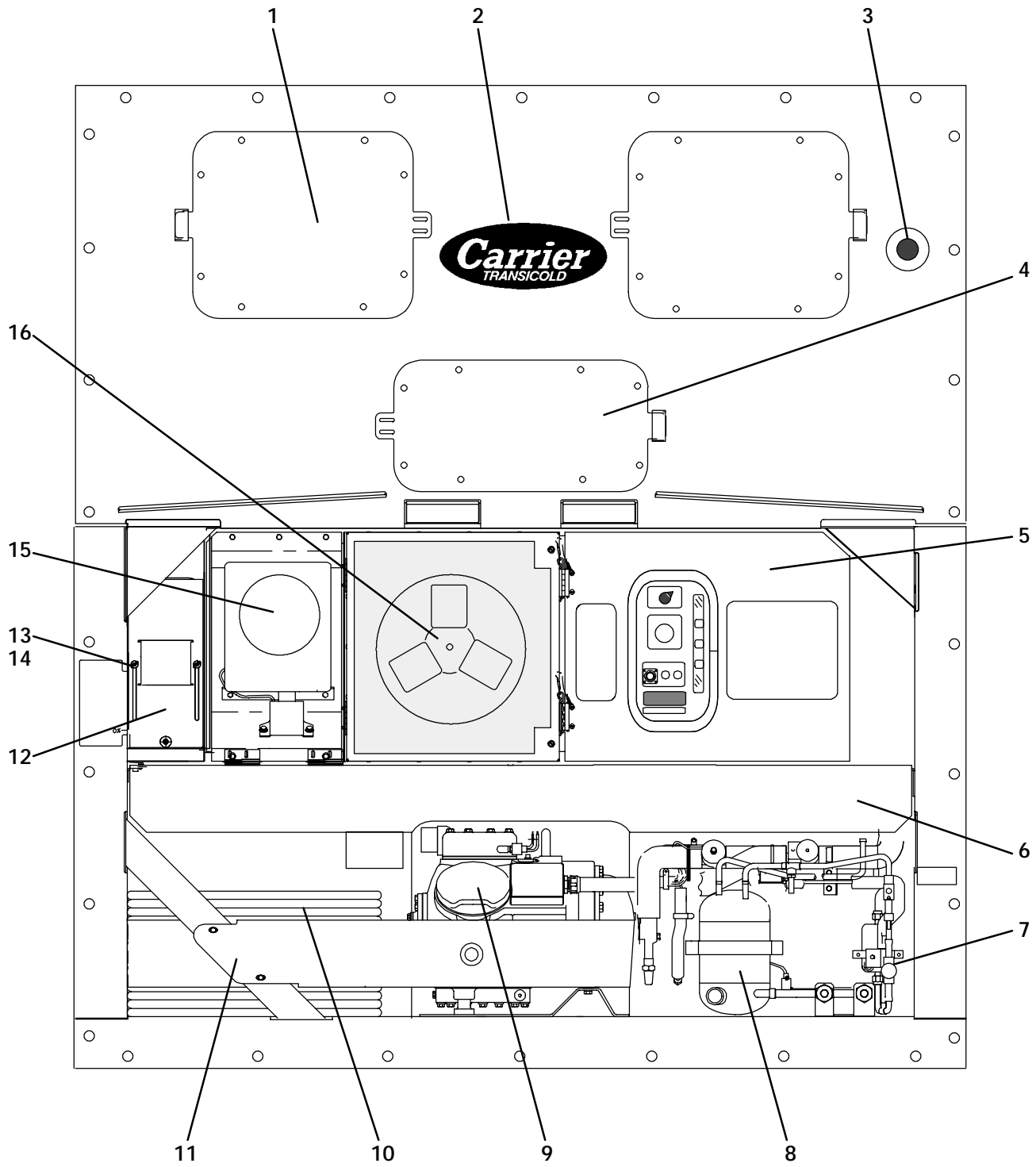
34-00373-51P10	Clamp, Tube, 1/4 – SST
34-00373-53P10	Clamp, Tube, 3/8 – SST
34-00373-05P10	Clamp, Tube, 1/2 – SST
34-00373-07P10	Clamp, Tube, 5/8 – SST
34-00373-59P10	Clamp, Tube, 3/4 – SST
34-00373-11P10	Clamp, Tube, 7/8 – SST
34-00373-65P10	Clamp, Tube, 1-1/8 – SST
34-00373-67P10	Clamp, Tube, 1-1/4 – SST
34-00373-69P10	Clamp, Tube, 1-3/8 – SST
34-00373-71P10	Clamp, Tube, 1-1/2 – SST
22-00066-01P25	Connector, Butt End, Wire Range – 22 to 16 Gauge
22-00066-02P25	Connector, Butt End, Wire Range – 16 to 14 Gauge
22-00066-03P25	Connector, Butt End, Wire Range – 12 to 10 Gauge
22-00041-00P25	Connector, Closed End, Wire Range – 22 to 14 Gauge
22-00041-02P25	Connector, Closed End, Wire Range – 18 to 10 Gauge
66U1-7472-1	Filter-Drier
HY10FJ006-P05	Fuse, Glass – 6 amp
22-00060-20P05	Fuse, Glass – 3 amp
22-01140-01P25	Ring Terminal, #6, Wire Range – 12 to 10 Gauge
22-01140-02P25	Ring Terminal, #10, Wire Range – 12 to 10 Gauge
22-01140-04P25	Ring Terminal, 3/8, Wire Range – 12 to 10 Gauge
22-00119-04P25	Ring Terminal, 1/4, Wire Range – 12 to 10 Gauge
22-00120-04P25	Ring Terminal, #10, Wire Range – 16 to 14 Gauge
22-00120-07P25	Ring Terminal, 5/16, Wire Range – 16 to 14 Gauge
22-00121-07P25	Ring Terminal, #10, Wire Range – 22 to 16 Gauge
22-01139-04P25	Ring Terminal, 3/8, Wire Range – 16 to 14 Gauge
22-01141-01P25	Spade Terminal, .032 x .250, Wire Range – 16 to 14 Gauge
22-00595-01P25	Spade Terminal, 3/8, Wire Range – 12 to 10 Gauge
22-01106-00F25	Spiral Wrap, 1/4 inch Diameter x 25 ft Long
22-01107-00F25	Spiral Wrap, 1/2 inch Diameter x 25 ft Long
66U1-3803-P10	Tube, Heat Shrink, 1/4 ID x 2.12 inches lg
44-01043-05P25	Ty-Raps, 5-1/2 inches Long
44-01043-07P25	Ty-Raps, 11 inches Long
22-50007 Series	Wire Markers

2. TOOLS

07-00013	Temperature Tester (Simpson Meter)
07-00013-01	Temperature Test Lead (15 ft)
07-00013-02	Temperature Test Lead (50 ft)
07-00013-03	Adapter, Males (Both Ends) (Use with Temperature Tester)
07-00015	Case, Carrying (For P/N 07-00013)
07-00219	Wrench, Compressor Sight Glass
07-00221	Inspection Light with Mirror
07-00226	Board, Temperature Controller Simulator Module (TCSM)
07-00228	Volt-Ohmmeter, Digital
07-00229	Amprobe Clamp (Used with 07-00228)
07-00237	Gauge Manifold Set

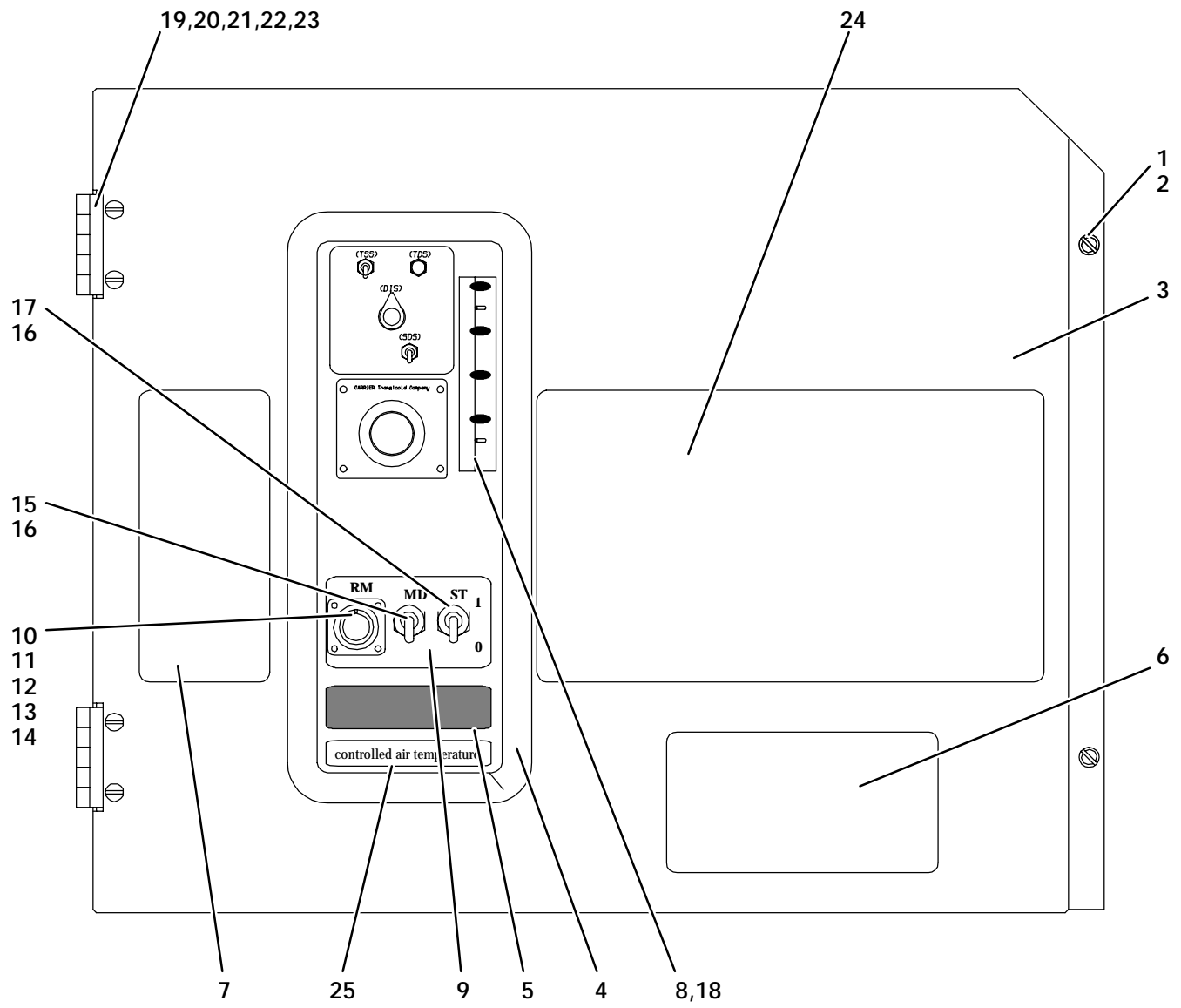
3. REFRIGERATION UNIT ASSEMBLY

3.1 REFRIGERATION UNIT -- FRONT



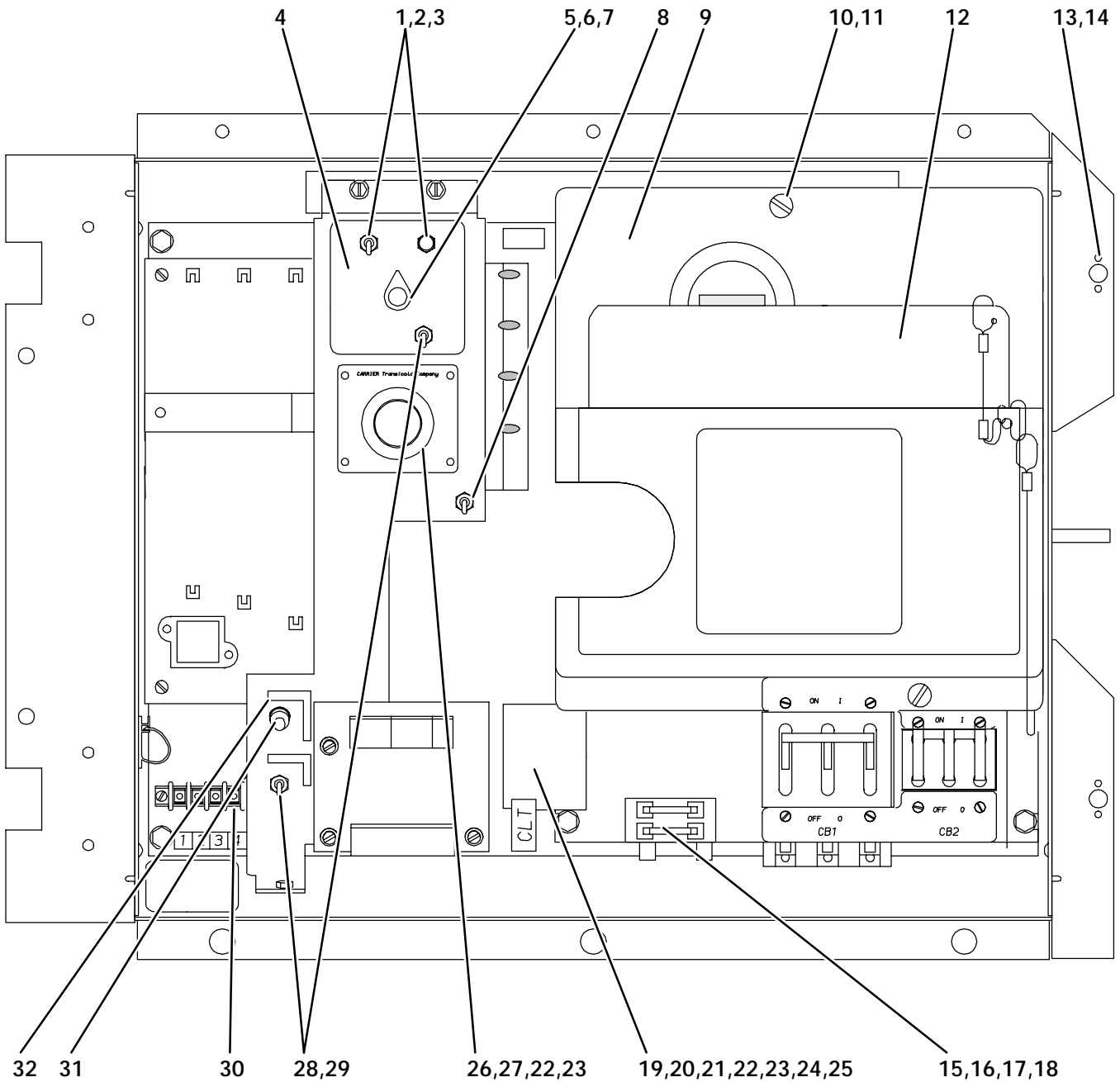
ITEM	PART NO.	DESCRIPTION	QTY
3.1 REFRIGERATION UNIT -- FRONT			
1	–	Panel, Access & Evaporator Fan Motor – Refer to Section 3.7	–
2	–	Labels and Decals – Refer to Section 3.18	–
3	66U1-8662	Cap and Chain 69NT20-284	1
4	–	Valve, Thermostatic Expansion (Location) – Refer to Section 3.13	–
5	–	Box, Control – Refer to Sections 3.2 thru 3.4	–
6	–	Coil, Condenser – Refer to Section 3.5	–
7	–	Tubing Section – Refer to Section 3.6	–
8	–	Receiver, Water-Cooled Condenser – Refer to Section 3.6	–
9	–	Compressor – Refer to Sections 3.16 & 4	–
10	–	Cables, Power – Refer to Section 3.17	–
11	–	Guard, Compressor – Refer to Section 3.16	–
12	69NT40-976	Cover, Makeup Air	1
13	66U1-5362-1	Nut, Wing 1/4-20 – SST	2
14	66U1-5321-7	Washer, Flat, 1/4 – SST	A/R
15	–	Thermometer, Recording – Refer to Section 3.10, 3.11 & 3.12	–
16	–	Condenser Fan Motor & Fan – Refer to Section 3.5	–

3.2 CONTROL BOX DOOR



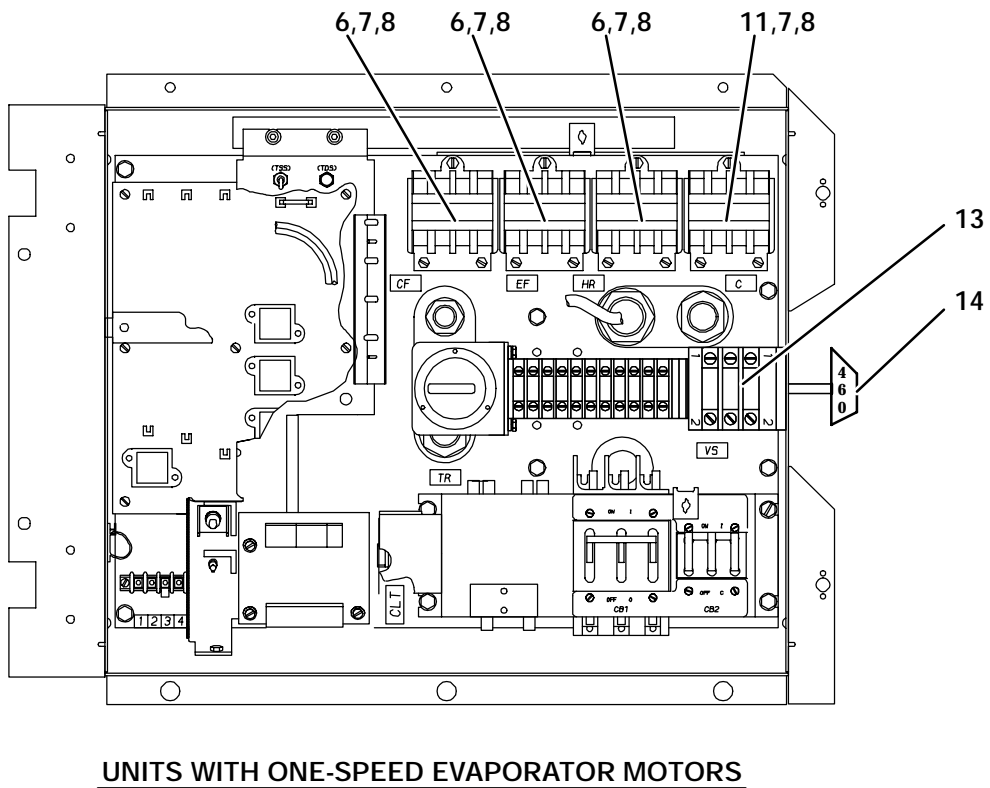
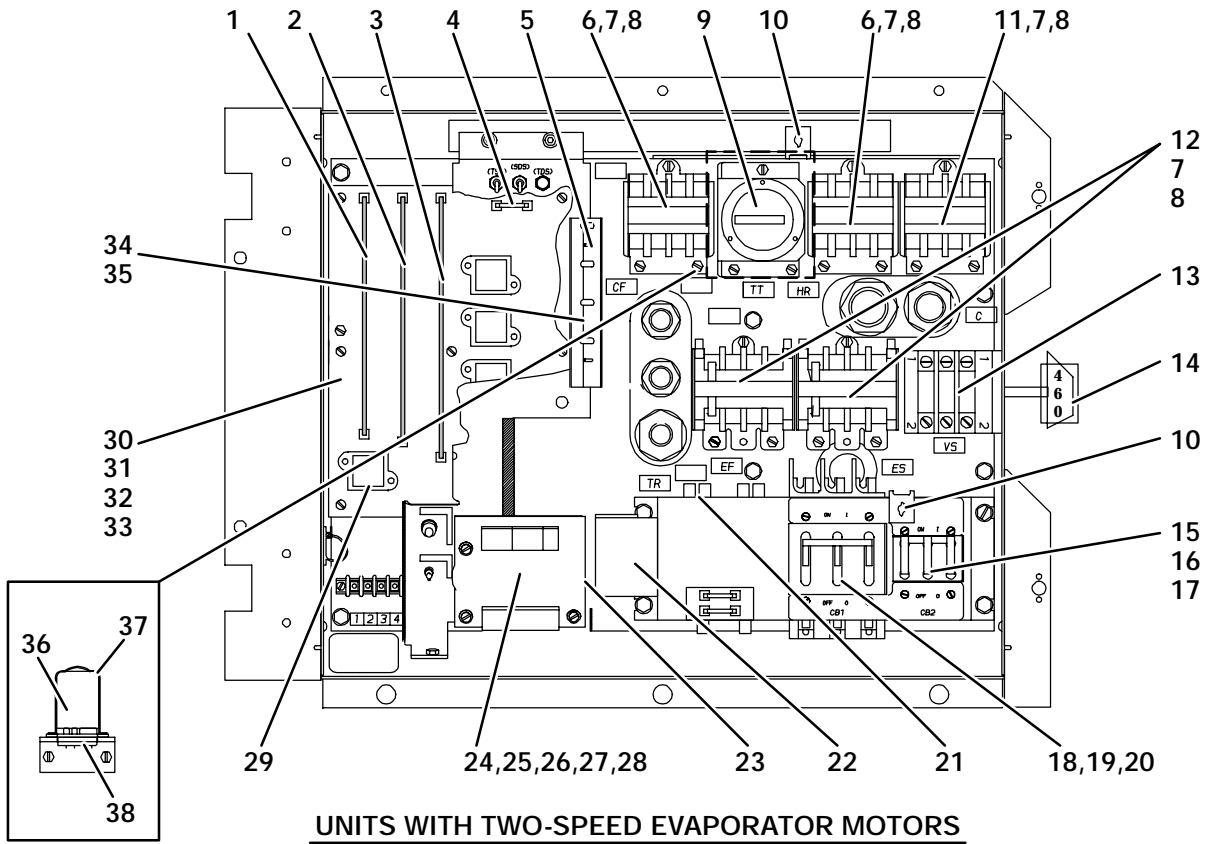
ITEM	PART NO.	DESCRIPTION	QTY
3.2 CONTROL BOX DOOR			
1	66U1-6811-10	Screw, Retaining	2
2	34-01226-00	Washer, Retaining	2
3	69NT40-818-12	Door Assembly 69NT20-284-1,-2 & 69NT40-464-10 – Includes:	1
NS	42-01083-00	Gasket	1
4	58-01180-01F50	Seal Rubber (50 ft, Cut to length)	A/R
5	69NT35-4574-1	Panel, Switch	1
3	69NT40-818-21	Door Assembly – Includes:	1
NS	42-01083-00	Gasket	1
4	58-01180-01F50	Seal Rubber (50 ft, Cut to length)	A/R
5	69NT35-4574	Panel, Switch	1
6	69NT35-3413	Label, CB1, CB2 69NT20-284 & 69NT40-464-1,-3,-15 & 69NT40-461-7, -8	1
6	69NT35-1162	Label, CB1 69NT40-464-12 (NSI)	1
7	69NT35-3164	Label, Warning 69NT20-284-1,-2 & 69NT40-464,-2,-5,-8,-15 & 69NT40-461-7, -8	1
7	69NT35-5644	Label, Warning 69NT20-284 & 69NT40-464-1,-4	1
7	69NT35-5304	Label, Warning 69NT40-464-3	1
7	69NT35-1288	Label, Warning 69NT40-464-12	1
8	69NT35-4733	Label, Status Indicator 69NT20-284-1,-2 & 69NT40-464,-2,-8	1
8	69NT35-6243	Label, Status Indicator 69NT20-284 & 69NT40-464-1,-4	1
8	69NT35-5873	Label, Status Indicator 69NT40-464-3	1
8	69NT35-1477	Label, Status Indicator (NSI) 69NT40-464-5,-8,-15 & 69NT40-461-7, -8	1
8	69NT35-2397	Label, Status Indicator (NSI) 69NT40-464-12	1
9	69NT35-4013	Label, Switch, (RM, MD, ST) 69NT20-284-3 & 69NT40-464,-2,-5,-7,-8,-9,-12,-15 & 69NT40-461-7, -8	1
9	69NT35-8583	Label, Switch, (RM, MD, ST) 69NT20-284 & 69NT40-464-1,-4	1
9	69NT35-5893	Label, Switch, (MD, ST) (NSI) 69NT40-464-3	1
9	69NT35-4443	Label, Switch, (MD, ST) 69NT20-284-1,-2 & 69NT40-464-10	1
10	22-02341-00	Receptacle, Remote Monitoring (Plastic) – Optional	1
11	66U1-6835	Gasket, Receptacle	1
12	22-02341-01	Cap and Chain (RM)	1
13	PL	Screw, Round Head, #4-40 x 3/4 lg – SST	4
14	PL	Locknut, #4-40 – SST	4
15	10-00221	Switch, Toggle (MDS)	1
16	66U1-9752	Seal, Bushing	2
NS	69NT35-4192	Adapter Strip	1
17	10-00237	Switch, Toggle (On–Off)	1
18	12-01078-03	Indicator, Status (4 Light Bar)	1
18	12-01078-05	Indicator, Status (4 Light Bar) 69NT40-464-3	1
19	44-01116-00	Hinge	2
20	PL	Screw, Machine, #10-24 x 1/2 lg – SST	4
21	PL	Washer, Lock, #10 – SST	4
22	PL	Washer, Flat, #10 – SST	4
23	34-01167-01	Nut, Double	2
24	–	Label, Operating Instruction – Refer to Section 3.18	–
25	69NT35-6022	Label, Controlled Air Temperature 69NT20-284 & 69NT40-464-1,-4	1
25	69NT35-4002	Label, Controlled Air Temperature (NSI) 69NT20-284-1,-2,-3 & 69NT40-464,-2,-5,-7,-8,-9,-15 & 69NT40-461-7, -8	1
25	69NT35-5392	Label, Controlled Air Temperature (NSI) 69NT40-464-3	1
25	69NT35-7312	Label, Controlled Air Temperature (NSI) 69NT40-464-12	1

3.3 CONTROL BOX



ITEM	PART NO.	DESCRIPTION	QTY
3.3 CONTROL BOX			
1	69NT40-427	Switch Assembly (TDS & TSS) – Includes:	1
NS	NSS	Connector	1
2	10-01142-03	Switch, Push Button (TDS)	1
3	10-01133	Switch, Toggle (TSS)	1
4	69NT35-8453	Label, Switch (TSS,SDS,TDS,DIS) (NSI)	1
4	69NT35-6503	Label, Switch (TSS,SDS,TDS,DIS) (NSI) 69NT40-464-3	1
5	69NT40-983-1	Switch Assembly, Rotary (DIS) 69NT40-464-3 – Includes:	1
5	69NT40-437-1	Switch Assembly, Rotary (DIS) – Includes:	1
6	10-01132-01	Switch, Rotary	1
7	66U1-9522	Knob	1
8	12-01112-00	Switch, Supply Probe – Optional	1
9	69NT35-297-2	Shield, High Voltage 69NT20 – Includes:	1
9	69NT35-297-3	Shield, High Voltage 69NT40 – Includes:	1
10	66U1-3442-2	Stud, 1/4 Turn	2
11	66U1-9212-1	Retainer	2
12	–	Plate Assembly, Schematic & Diagram – Refer to Section 3.18	–
13	34-01142-01	Receptacle	2
14	PL	Rivet, Blind, .125 dia x 0.125 - 0.32 Grip Range – SST	4
15	22-01324-02	Fuse Block	1
16	HY10FJ006	Fuse, 6 amp	2
17	PL	Washer, Lock , #6 – SST	2
18	PL	Screw, Pan Head, #6-32 x 7/16 lg – SST	2
19	10-01161-01	Transformer, Current Limiting (CLT) – Optional	1
20	58-00950-00	Cover, Plastic - Transformer Mounting (For use with CLT)	1
21	PL	Washer, Flat, #8 – SST	4
22	PL	Washer, Lock, #8 – SST	8
23	PL	Screw, Pan Head, #8-32 x 1/2 lg – SST	8
24	PL	Capscrew, Hex Head, 1/4-20 x 3/4 lg – SST	2
25	PL	Nut, Hex, 1/4-20 – SST	1
26	22-02249	Temperature Selector (<u>F</u> / <u>C</u>)	1
26	22-02249-01	Temperature Selector (<u>C</u>)	1
27	PL	Nut, Hex, #8-32 - SST	4
NS	69NT40-417-3	Switch Assembly (For use with digital display) – Optional – Includes:	1
28	10-01133-02	Switch, Scale Selector (SSS)	1
29	10-01146-03	Switch, Set Temperature Display (SDS)	1
NS	22-02306-01	Plug	1
NS	22-02305-00	Contact, Socket	1
30	22-02352-00	Block, Terminal	1
31	10-00237	Switch, Toggle (HCS) – Optional	1
32	69NT20-1912	Label (HCS) – Optional (NSI)	1

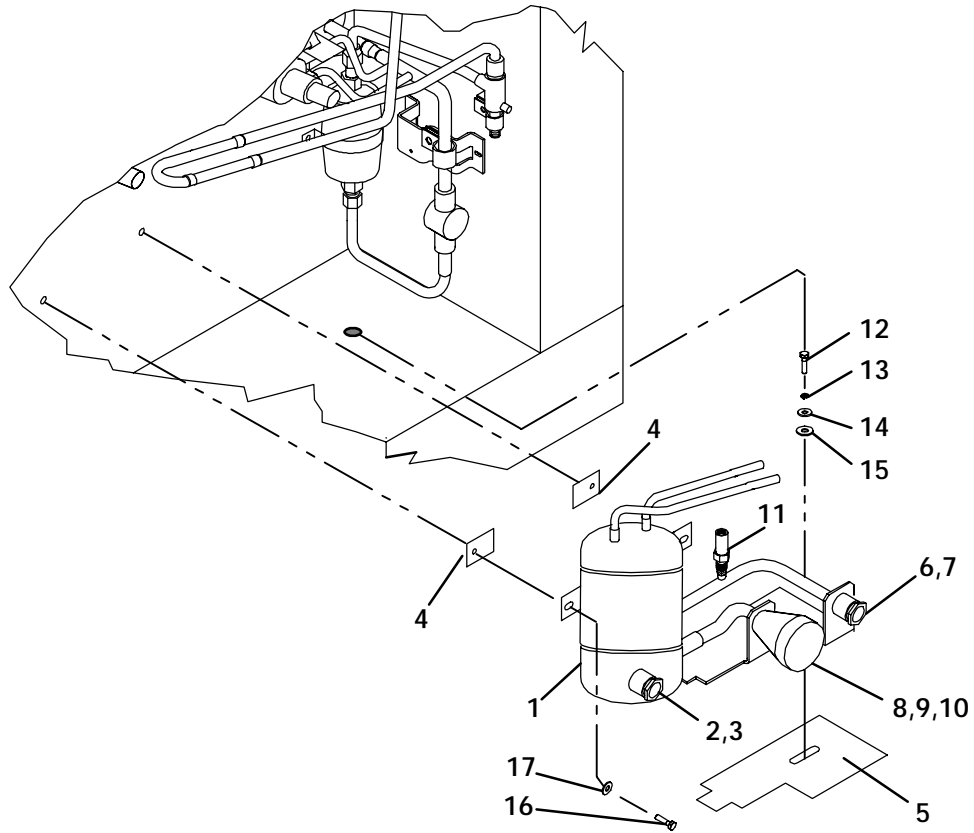
3.4 CONTROL BOX -- HIGH VOLTAGE SHIELD REMOVED



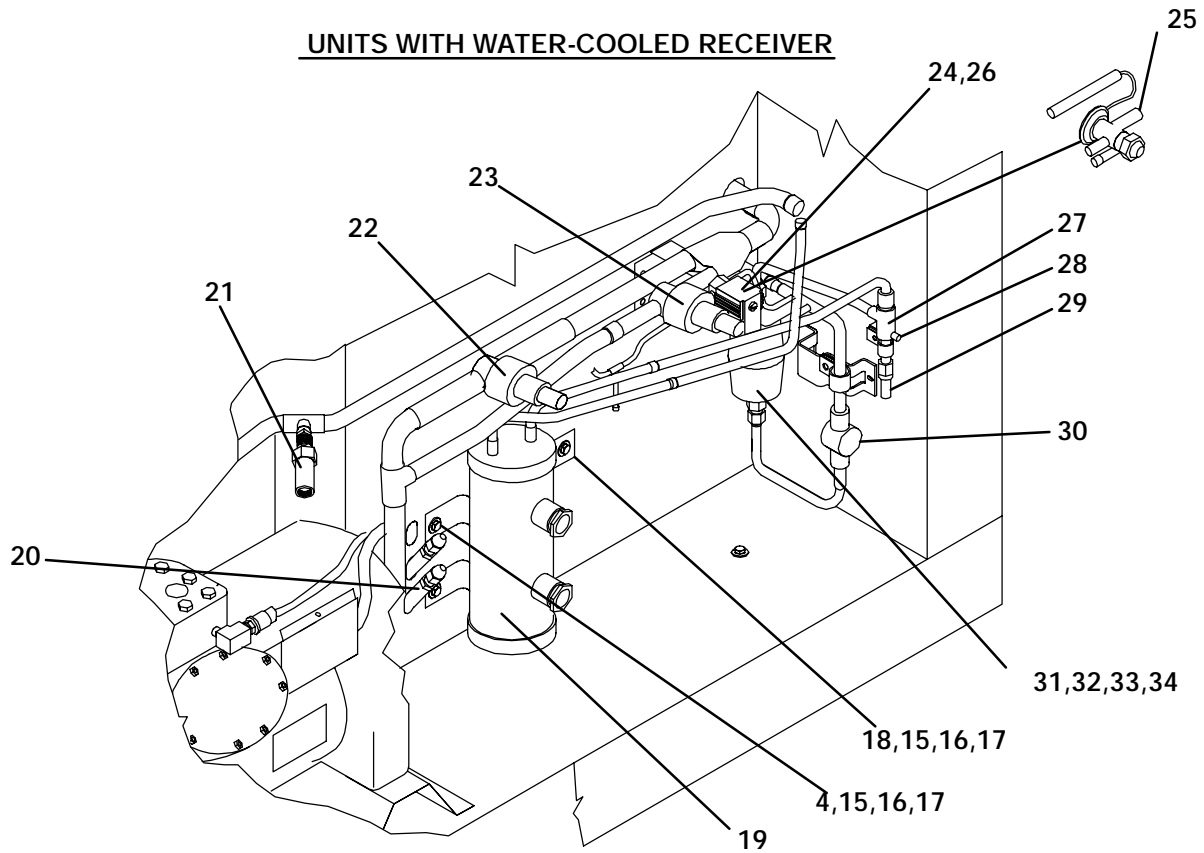
ITEM	PART NO.	DESCRIPTION	QTY
3.4 CONTROL BOX -- HIGH VOLTAGE SHIELD REMOVED			
1	12-01059-10	Board, Power Supply and IRS	1
1	12-01059-30	Board, Power Supply and IRS – Remanufactured	1
2	12-01058-10	Board, Timing and Current Control	1
2	12-01058-30	Board, Timing and Current Control – Remanufactured	1
3	12-01085-00	Board, Temperature Control	1
3	12-01085-20	Board, Temperature Control – Remanufactured	1
NS	69NT35-936	Cover Assembly, Printed Circuit Board 69NT40-464-4	1
4	22-00060-20	Fuse, 3 amp	2
5	–	Indicator, Status – Refer to Section 3.2	–
6	10-00304-32	Relay, Condenser Fan Motor and Heater (CF& HR)	1
7	PL	Screw, Hex Head, #10-24 x 1/2 lg – SST	16
8	PL	Washer, Lock, #10 – SST	16
9	66U1-3823	Meter, Hour (Optional)	1
NS	69NT35-5823	Bracket, Hour Meter (NSI)	1
10	66U1-9222	Receptacle	2
11	10-00304-00	Contactor, Compressor (C) 69NT40-464-4	1
11	10-00304-33	Contactor, Compressor (C)	1
12	66U1-6311	Relay, Evaporator Fan Motor (EF & ES)	2
13	10-01149-01	Voltage Switch (3 Station)	1
13	10-01148-01	Voltage Switch (14 Station)	1
14	10-01149-04	Knob (for 3 Station) – Includes:	1
NS	10-01149-04SV	Element, Tightening	1
14	10-01148-04	Knob (for 14 Station) – Includes:	1
NS	10-01148-04SV	Element, Tightening	1
15	66U1-4522-2	Circuit Breaker – 230 vac	1
15	10-00227-00	Circuit Breaker – 230 vac 69NT40-464-15 & 69NT461-7,-8	1
16	PL	Screw, Pan Head, #6-32 x 5/16 lg – SST	4
17	PL	Washer, Lock, #6 – SST	4
18	66U1-1723-3	Circuit Breaker – 460 vac (69NT40)	1
18	66U1-1723-2	Circuit Breaker – 460 vac (69NT20)	1
19	PL	Screw, Pan Head, #6-32 x 7/16 lg – SST	4
20	PL	Screw, Binding Head, 1/4-20 x 5/16 lg – Brass (For Terminals)	6
21	66U1-2353	Transformer, Control (Located behind CB panel)	1
22	10-00237	Switch, Control Limiting – Optional	1
23	12-01087-00	Time Delay (3 Second) – Optional (Located behind digital display)	1
24	12-01073-00SV	Display, Digital Temperature – Optional	1
24	12-01073-20	Display, Digital Temperature – Remanufactured	1
25	69NT40-447	Plug, Harness (For Digital Display) – Includes:	1
26	22-02306-00	Plug (6 position)	1
27	58-01181-02	Standoff (For use with digital display)	4
28	58-01181-03	Standoff (For use with digital display)	4
29	10-00220	Relay	A/R
30	22-02269-11	Board, Main Printed Circuit	1
30	22-02269-31	Board, Main Printed Circuit – Remanufactured	1
31	PL	Screw, Hex Head – Slotted, #8-32 x 3/4 lg – SST	14
32	PL	Washer, Lock #8 – SST	7
33	66U1-9592-3	Standoff	10
34	69NT20-1602	Angle, Status Indicator (NSI)	1
35	69NT20-1612	Shield, Status Indicator (NSI)	1
36	66U1-5162-1	Relay (CR & KR) 69NT40-464-3	2
37	73-00130-00	Clip, Relay (CR & KR) 69NT40-464-3	2
38	66U1-5162-1	Socket, Relay (CR & KR) 69NT40-464-3	2
NS	12-01100-00	Time Delay (60 minute) – Defrost Terminator 69NT40-464-3	1
NS	07-50001	Humiseal, 12 oz.	A/R
NS	07-50003-01	Lubricant, Contact	A/R

ITEM	PART NO.	DESCRIPTION	QTY
3.5 CONDENSER FAN MOTOR AND COIL SECTION			
1	69NT42-244	Cover, Condenser Coil	1
2	PL	Screw, Hex Head, #10-24 x 1/2 lg – SST	A/R
3	PL	Washer, Flat, #10 – SST	A/R
4	69NT35-2692	Washer, Fender, .063 Thick – SST (NSI)	A/R
5	PL	Washer, Lock, #10 – SST	A/R
6	69NT42-108-SV	Coil, Condenser – Copper (Includes Mylar washers and protectors)	1
7	66U1-5361-25	Capscrew, Hex Head, 1/4-20 x 3/4 lg – SST (NSI)	11
8	66U1-5321-7	Washer, Flat, 1/4 – SST	11
9	58-50013-02	Washer, Mylar, 1/4 ID x 3/4 OD	A/R
10	58-50013-04	Washer, Mylar, 1/4 ID x 1.00 OD	A/R
NS	34-06053-05	Washer, Mylar, 13/64 ID x 39/64 OD	A/R
NS	58-04026-00	Protector, Mylar (Apply between coil mounting & frame RH side)	1
NS	58-04026-03	Protector, Mylar (Apply to top side center coil mounting)	1
NS	58-04026-04	Protector, Mylar (Apply between coil mounting & frame, RH & LH sides)	2
NS	58-04026-06	Protector, Mylar (Apply to center between frame & coil & coil cover)	2
NS	58-04026-08	Protector, Mylar (Apply to top side of coil bracket, RH & LH sides)	2
NS	58-04026-09	Protector, Mylar (Apply under coil center bracket attached to frame)	1
NS	58-04026-10	Protector, Mylar (Apply between coil & coil cover, RH & LH sides)	2
NS	58-04026-11	Protector, Mylar (Apply between coil mounting & frame LH side)	1
11	69NT40-847-2	Grille, Condenser 69NT40-464-3,-7,-9,-10 & 69NT40-461-7,-8	1
11	69NT35-7944	Grille, Condenser	1
12	69NT40-837	Venturi, Condenser Fan (For 16.00 diameter Fan)	1
12	69NT40-837-1	Venturi, Condenser Fan (For 17-1/2 diameter Fan)	1
NS	PL	Rivet, Blind, 5/32 Diameter, Grip Range – 1/8-1/4 – SST	4
13	69NT35-1482	Hinge, Condenser Fan Grille	2
NS	PL	Rivet, Blind, 5/32 Diameter, Grip Range – 1/8-1/4 – SST	4
14	38-00511-00	Fan, Condenser (Painted Steel) – Includes:	1
14	38-00142-00	Fan, Condenser (16.00 diameter) – SST – Includes:	1
14	38-00142-01	Fan, Condenser (17-1/2 diameter) – SST – Includes:	1
15	PL	Set Screw, Square Head, 5/16-24 x 5/8 lg – SST	2
16	54-00516-00	Motor, Condenser Fan	1
16	54-00132-00SV	Motor, Condenser Fan (NLO) – Includes:	1
17	34-00672	Key, 3/16 Square x 1-1/4 lg – SST	1
NS	22-50071-00	Capaciter	1
NS	54-50042-00	End Bell	1
18	66U1-5361	Screw, Hex Head/Washer, 5/16-18 x 1.25 – SST	4
19	34-01181-01	Washer, Flat, 5/16 – SST (NSI)	8
20	58-50013-00	Washer, Mylar	
21	34-00667-12	Locknut, 5/16-18 – SST (NSI)	4
22	69NT35-6112	Protector, Condenser Fan Motor Mounting	2
23	34-01150-04	Stud (1/4 Turn)	2
24	34-01150-30	Washer, Retaining	2
25	34-01150-31	Receptacle	2

3.6 WATER-COOLED CONDENSER/RECEIVER AND TUBING SECTION



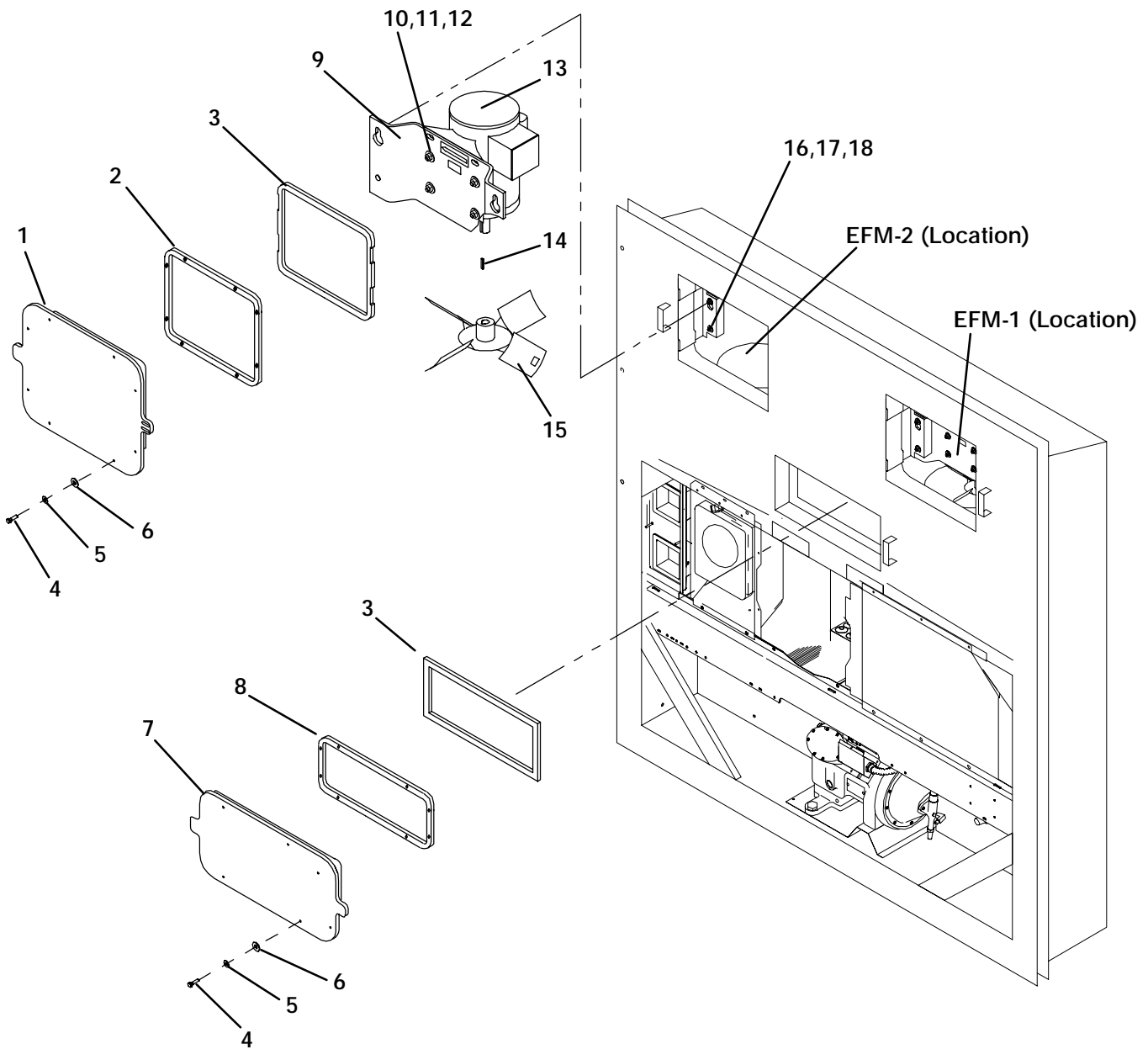
UNITS WITH WATER-COOLED RECEIVER



UNITS WITH RECEIVER

ITEM	PART NO.	DESCRIPTION	QTY
3.6 WATER-COOLED CONDENSER/RECEIVER AND TUBING SECTION			
NS	69NT42-914	Kit, Condenser/Receiver (Optional Field Installed) – Includes:	A/R
1	69NT42-914-1	Condenser/Receiver – Includes:	1
2	14-00111	Sight Glass – Includes:	1
3	NSS	Ball, Float	1
4	58-00956-00	Protector, Condenser/Receiver Bracket	2
5	58-00957-00	Protector, Coupling Bracket	1
6	66U1-2763-5	Coupling (Water-In)	1
7	66U2-1142	Cap, Dust	A/R
8	40-01129	Coupling, Self Draining – Includes:	1
9	42-50000	O-Ring Seal	1
10	66U2-1152	Cap, Dust	1
11	12-01071-01SV	Switch, Water Pressure – Optional	1
12	66U1-5361-7	Bolt, Hex Head, 3/8-16 x 1.00 lg – SST (NSI)	1
13	66U1-5321-5	Washer, Flat, 3/8 – SST (NSI)	1
14	AU11JR241	Washer, Lock, 3/8 – SST	1
15	58-50013-00	Washer, Mylar, 3/8 ID x 1.00 OD	1
16	66U1-5361-25	Capscrew, Hex Head, 1/4-20 x 3/4 lg – SST (NSI)	A/R
17	66U1-5321-7	Washer, Lock, 1/4 – SST	A/R
18	58-04026-05	Protector	1
19	69NT40-937	Receiver (Optional) – Painted Steel	1
19	69NT40-977-1	Receiver (Optional) – SST	1
20	12-01072-01SV	Sensor, Supply Temperature (STS)	1
21	14-00195-00	Valve, High Side Pressure Relief	1
NS	14-00195-03	Valve, High Side Pressure Relief 69NT40-461-7	1
NS	–	Valve, Low Side Pressure Relief – Refer to Section 3.16	–
22	–	Valve, Modulating Solenoid – Refer to Section 3.15	–
23	–	Valve, Suction Solenoid – Refer to Section 3.14	–
24	14-01090-01	Valve, Quench (Solenoid)	1
25	14-00189-00	Valve, Quench (Thermostatic Expansion)	1
26	14-01091-01	Coil, Solenoid	1
NS	34-50012-00	Screw, (Special), Coil Hold Down	1
27	66U1-8552	Valve, Liquid Line – Includes:	1
28	40-00086-04	Cap, Flare – 1/4	1
29	17-21002-01	Cap, Valve	1
30	14-00202-00	Indicator, Moisture – Liquid (Brass)	1
31	14-01103-00SV	Filter-Drier 69NT40-464-3 – Includes:	1
NS	42-01097-00	Gasket, Filter-Drier 69NT40-464-3	2
31	66U1-7472-1	Filter-Drier	1
NS	66U1-2552-133	Gasket (Use between Filter-Drier and container wall)	A/R
32	69NP20-1031	Clamp, Filter-Drier – Includes:	1
NS	58-50014-00F16	Gasket, Clamp (16 FT, cut to length)	A/R
33	66U1-5361-25	Screw, Hex Head, 1/4-20 x 3/4 lg – SST (NSI)	2
34	34-06053-03	Washer, Mylar, 1/4 ID x 1.00 OD	2

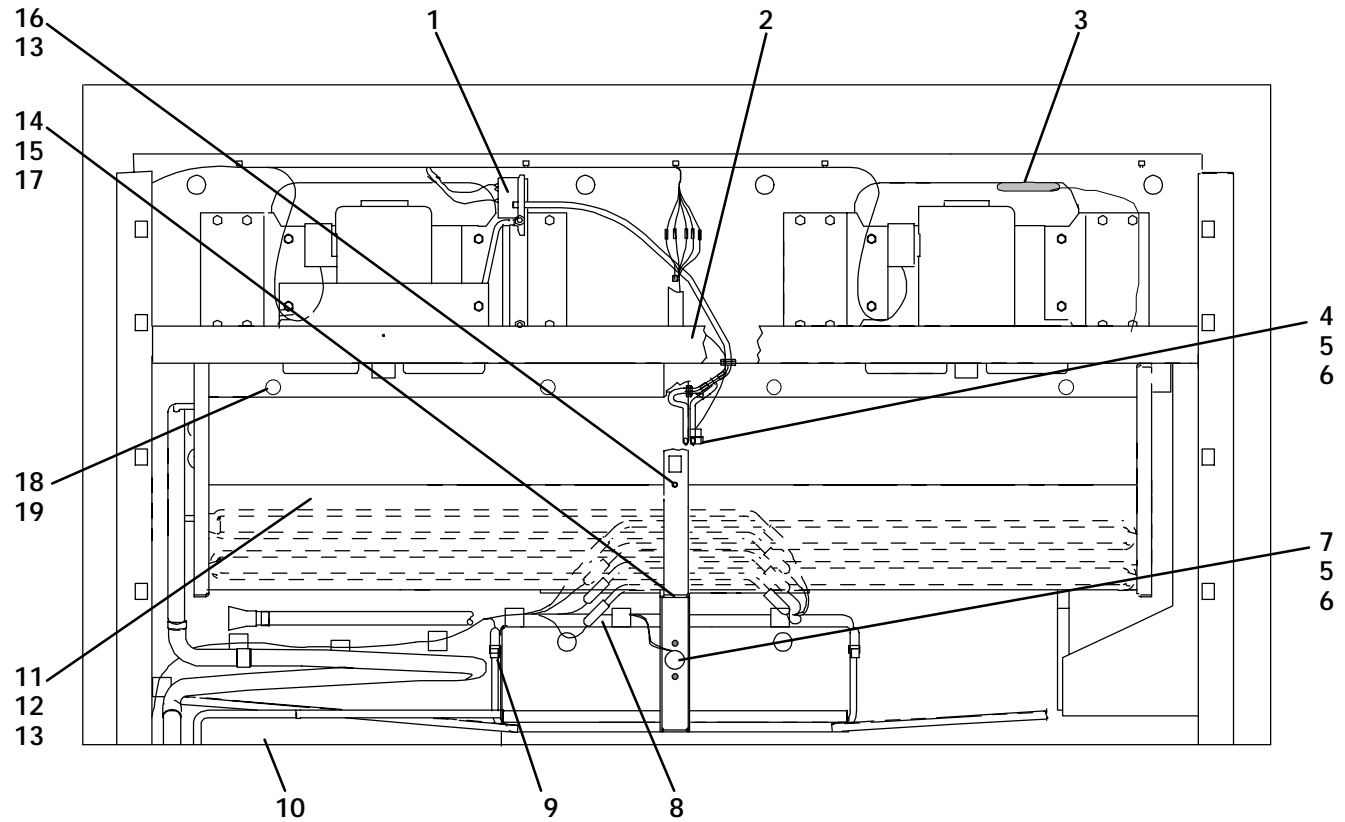
3.7 EVAPORATOR FAN MOTOR AND ACCESS PANEL SECTION



ITEM	PART NO.	DESCRIPTION	QTY
3.7 EVAPORATOR FAN MOTOR AND ACCESS PANEL SECTION			
1	69NT40-908-1	Panel, Access – Includes:	2
2	42-01082	Gasket	1
3	66U1-8115-F20	Gasket, Access Panel Seal – Adhesive Back, Pressure Sensitive, 4 x 1/2 thick (20 ft, Cut to size)	A/R
4	AA06JA170	Capscrew, Hex Head, 1/4-20 x 1.00 lg – SST	24
5	AN96OC416	Washer, Flat, 1/4 – SST	24
6	58-50013-03	Washer, Mylar, 1/4 ID X 1/2 OD	24
7	69NT41-308	Panel, Access 69NT40-464-3 – Includes:	1
7	69NT40-898-1	Panel, Access – Includes:	1
8	42-01081	Gasket	1
9	69NT35-1173	Bracket, Motor Mount (69NT40)	2
9	69NT20-1033	Bracket, Motor Mount (69NT20)	2
10	34-00933-12	Capscrew, Hex Head, 5/16-18 x 1-1/2 lg – SST (NSI)	4
11	34-01181-01	Washer, Flat, 5/16 – SST (NSI)	8
12	34-00667-12	Locknut, 5/16-18 – SST (NSI)	4
13	54-00513-00	Motor, Evaporator Fan (Two-Speed) – Includes:	2
14	34-00672	Key, 3/16 x 3/16 x 1-1/4 lg – SST	2
NS	22-50071-00	Capacitor	1
13	54-00507-00	Motor, Evaporator Fan (One-Speed) – Includes:	2
14	34-00672	Key, 3/16 x 3/16 x 1-1/4 lg – SST	2
NS	22-50072-00	Capacitor	1
15	38-00121	Fan, Evaporator (EFM-1) (69NT20) – Includes:	1
15	38-00126	Fan, Evaporator (EFM-1) (69NT40) – Includes:	1
15	38-00122	Fan, Evaporator (EFM-2) (69NT20) – Includes:	1
15	38-00125	Fan, Evaporator (EFM-2) (69NT40) – Includes:	1
NS	PL	Setscrews, 5/16-24 x 5/8 lg – SST	2
16	66U1-5361-7	Bolt, Hex Head, 3/8-16 x 1.00 lg – SST (NSI)	8
17	66U1-5321-5	Washer, Flat, 3/8 – SST (NSI)	8
18	AU11JR241	Washer, Lock, 3/8 – SST	8

ITEM	PART NO.	DESCRIPTION	QTY
------	----------	-------------	-----

3.8 EVAPORATOR COIL SECTION -- REAR PANELS REMOVED

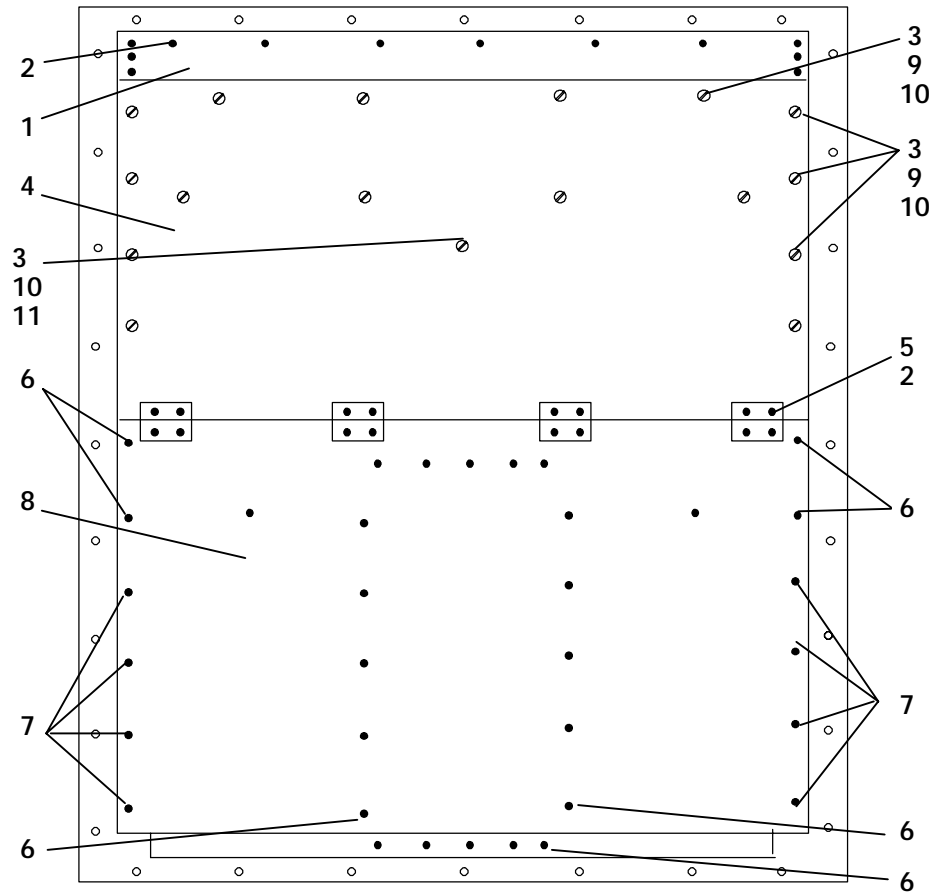


1	12-01134-00	Switch, Defrost Air Pressure 69NT20-284 & 69NT40-464-1,-4	1
2	12-01062-01	Thermostat, Suction Solenoid (69NT40)	1
3	12-01072-01SV	Sensor, Thermistor (RTS)	1
NS	-	Sensor, Thermistor - Temp. Recorder (Refer to Section 3.10, 3.11 or 3.12)	-
4	66U1-6912-8	Thermostat, Defrost, 75_F (24_C)	1
5	PL	Capscrew, Hex Head, #8-32 x 1/2 lg - SST	4
6	PL	Washer, Lock, #8 - SST	4
7	66U1-6912-7	Thermostat, High Temperature, 130_F (54_C)	1
8	66U1-2683-4	Heater	4
NS	69NT35-6532	Clip, Heater	4
8	24-00006-00	Heater 69NT40-464-3	6
NS	69NT35-6852	Clip, Heater 69NT40-464-3	6
9	24-00003	Heater, Drain Pan (69NT40-464-3 quantity is 2)	1
10	12-01063-02	Thermostat, Safety Override (Location) 69NT40-464-3	1
11	69NT42-968-1*	Coil, Evaporator (69NT40)	1
NS	69NT35-6522	Retainer (69NT40) 4 heater	1
NS	69NT35-6842	Retainer (69NT40) 6 heater	1
11	69NT21-234-1*	Coil, Evaporator (69NT20)	1
NS	69NT20-2032	Retainer (69NT20)	1
12	PL	Capscrew, Hex Head, 1/4-20 x 3/4 lg - SST	9
13	PL	Washer, Lock, 1/4 - SST	9
14	PL	Screw, Lag, 1/4-10 x 2.00 lg	6
15	PL	Washer, Flat, 1/4	6
16	PL	Capscrew, Hex Head, 1/4-20 x 1/2 lg - SST	1
17	34-06053-00	Washer, Mylar, 1/4 ID x 0.80 OD	A/R
18	PL	Capscrew, Hex Head, 1/4-20 x 1-1/4 lg - SST	4
19	PL	Washer, Fender, 1/4 x 5/8 thick - SST	4
NS	12-01066	Sensor, Humidity - Optional	1
NS	58-00616-00	Plug, Hole, Nylon - Black (For 2.00 Dia. hole located on fan deck)	A/R

* Note: Does not include thermostats or heaters.

ITEM	PART NO.	DESCRIPTION	QTY
------	----------	-------------	-----

3.9 EVAPORATOR COIL SECTION -- REAR PANELS ATTACHED

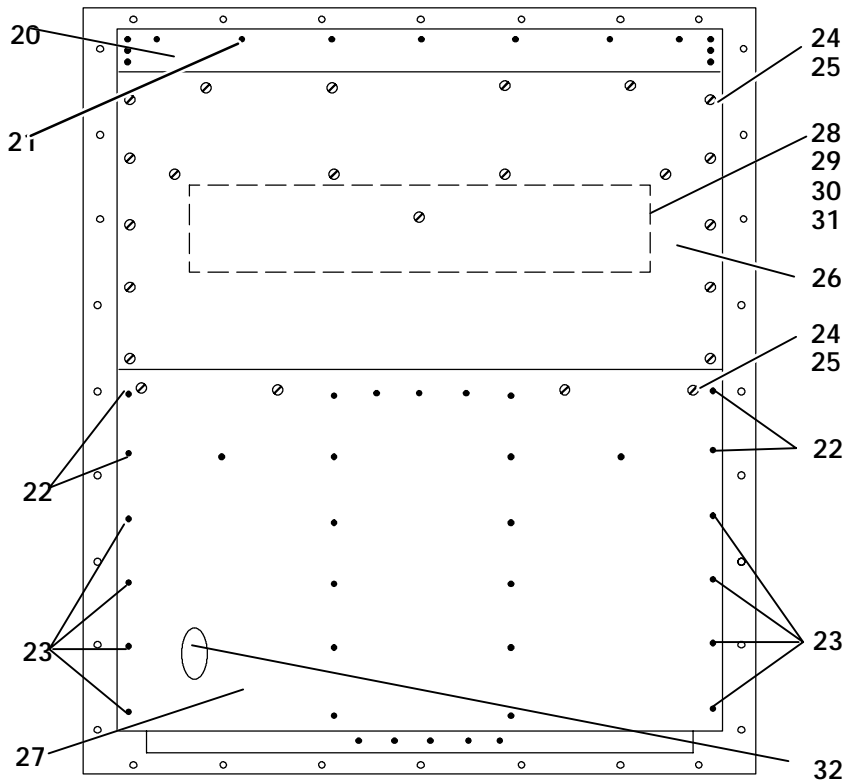


UNITS WITH HINGED PANELS

1	69NT20-218	Grille, Top (69NT20)	1
1	69NT40-614	Grille, Top (69NT40)	1
2	66U1-6832-1	Rivet, Blind, 5/16 Diameter, Grip Range – 1/8-1/4 (NSI)	A/R
3	34-01150-31	Receptacle, Retaining (For 1/4 Turn Stud)	15
4	69NT40-578-1	Panel Assembly, Upper, (SST) 69NT20-284-3 – Includes:	1
NS	NSS	Drain Pan, Center	1
NS	NSS	Drain Pan, Side	2
4	69NT41-488	Panel Assembly, Upper 69NT40-464-3 – Includes:	1
NS	NSS	Drain Pan, Center	1
NS	NSS	Drain Pan, Side	2
5	69NT35-3282	Hinge	4
9	34-01150-04	Stud, 1/4 Turn, 31/32 lg, Grip Range – 9/64-13/64	15
10	34-01150-30	Washer, Retaining	15
4	69NT40-634	Panel Assembly, Upper 69NT40-464-4 – Includes:	1
NS	NSS	Drain Pan, Center	1
NS	NSS	Drain Pan, Side	2
5	69NT35-3282	Hinge	4
6	66U1-6832-6	Rivet, Blind, 1/4 Diameter, Grip Range – 1/8-3/16 (NSI)	A/R
7	66U1-6832-3	Rivet, Blind, 1/4 Diameter, Grip Range – 3/16-1/4 (NSI)	A/R
8	69NT35-3494	Panel, Bottom – SST	1
8	69NT35-3014	Panel, Bottom 69NT40-464-4	1
9	34-01150-04	Stud, 1/4 Turn, 31/32 lg, Grip Range – 9/64-13/64	14
10	34-01150-30	Washer, Retaining	15
11	34-01150-06	Stud, 1/4 Turn, 1.03 lg, Grip Range – 13/64-17/64	1
NS	66U1-8075-F25	Gasket (25 ft, Cut to length)	A/R

ITEM	PART NO.	DESCRIPTION	QTY
------	----------	-------------	-----

3.9 EVAPORATOR COIL SECTION -- REAR PANELS ATTACHED (CONTINUED)

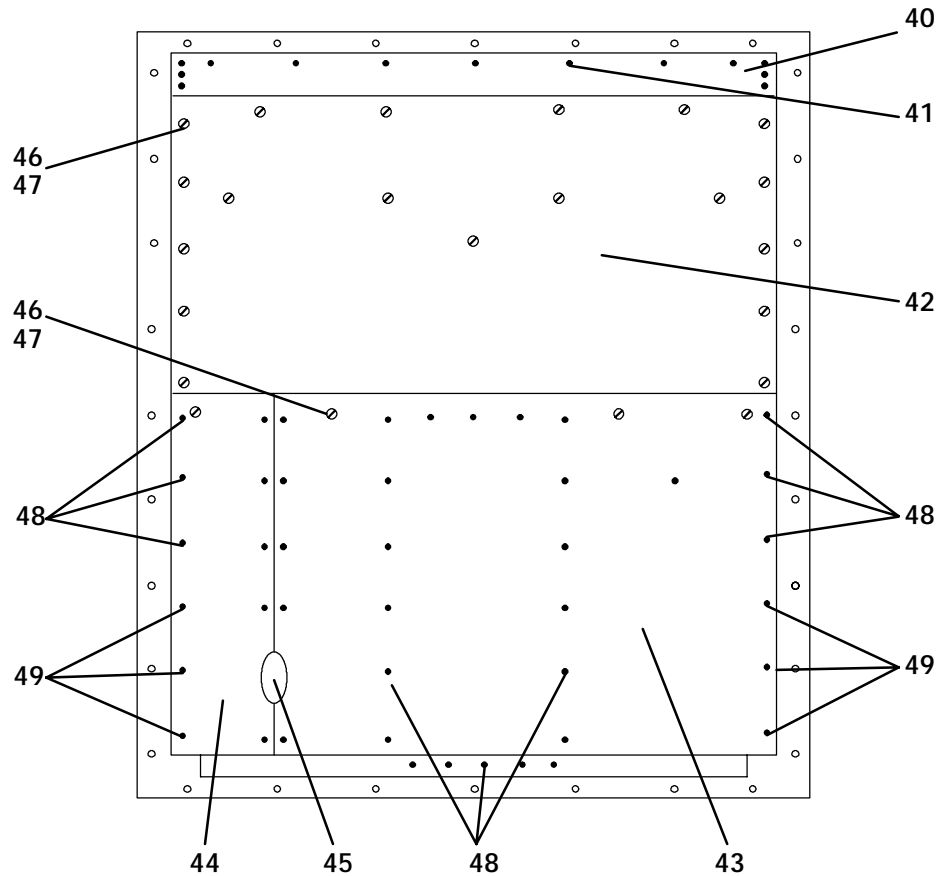


UNITS WITH BOLTED PANELS

20	69NT20-218	Grille, Top (69NT20)	1
20	69NT40-614	Grille, Top (69NT40)	1
20	69NT21-144	Grille, Top 69NT20-284-1	1
21	66U1-6832-1	Rivet, Blind, 5/16 Diameter, Grip Range – 1/8-1/4 (NSI)	A/R
22	66U1-6832-6	Rivet, Blind, 1/4 Diameter, Grip Range – 1/8-3/16 (NSI)	A/R
23	66U1-6832-3	Rivet, Blind, 1/4 Diameter, Grip Range – 3/16-1/4 (NSI)	A/R
24	66U1-2403	Screw, Machine, Truss Head, #10-24 x 1/2 lg – SST (NSI)	19
25	69NT35-2692	Washer, Fender, #10 x 1.00 OD – SST (NSI)	19
26	69NT40-624-1	Panel Assembly, Upper – Includes:	1
NS	NSS	Drain Pan	1
26	69NT40-624-4	Panel Assembly, Upper 69NT20-284-1 – Includes:	1
NS	NSS	Drain Pan, Side	2
NS	NSS	Drain Pan, Center	1
27	69NT35-3014	Panel, Bottom	1
27	69NT35-3014-1	Panel, Bottom (NSI) 69NT40-464-5	1
27	69NT20-3544	Panel, Bottom 69NT20-284-1	1
28	69NT21-174	Panel Assembly, Evaporator Coil 69NT20-284-1	1
29	69NT20-922	Spacer Assy (Evaporator coil panel to upper panel) (NSI) 69NT20-284-1	1
30	66U1-5371-7	Screw, Hex Head, #10-24 x 1/2 lg – SST 69NT20-284-1 (NSI)	7
31	66U1-5321-8	Washer, Flat, #10 – SST 69NT20-284-1 (NSI)	7
32	69NT35-5843	Cover, Sensor Port 69NT40-464-5	1
NS	66U1-8075-F25	Gasket (25 ft, Cut to length)	A/R

ITEM	PART NO.	DESCRIPTION	QTY
------	----------	-------------	-----

3.9 EVAPORATOR COIL SECTION -- REAR PANELS ATTACHED (CONTINUED)

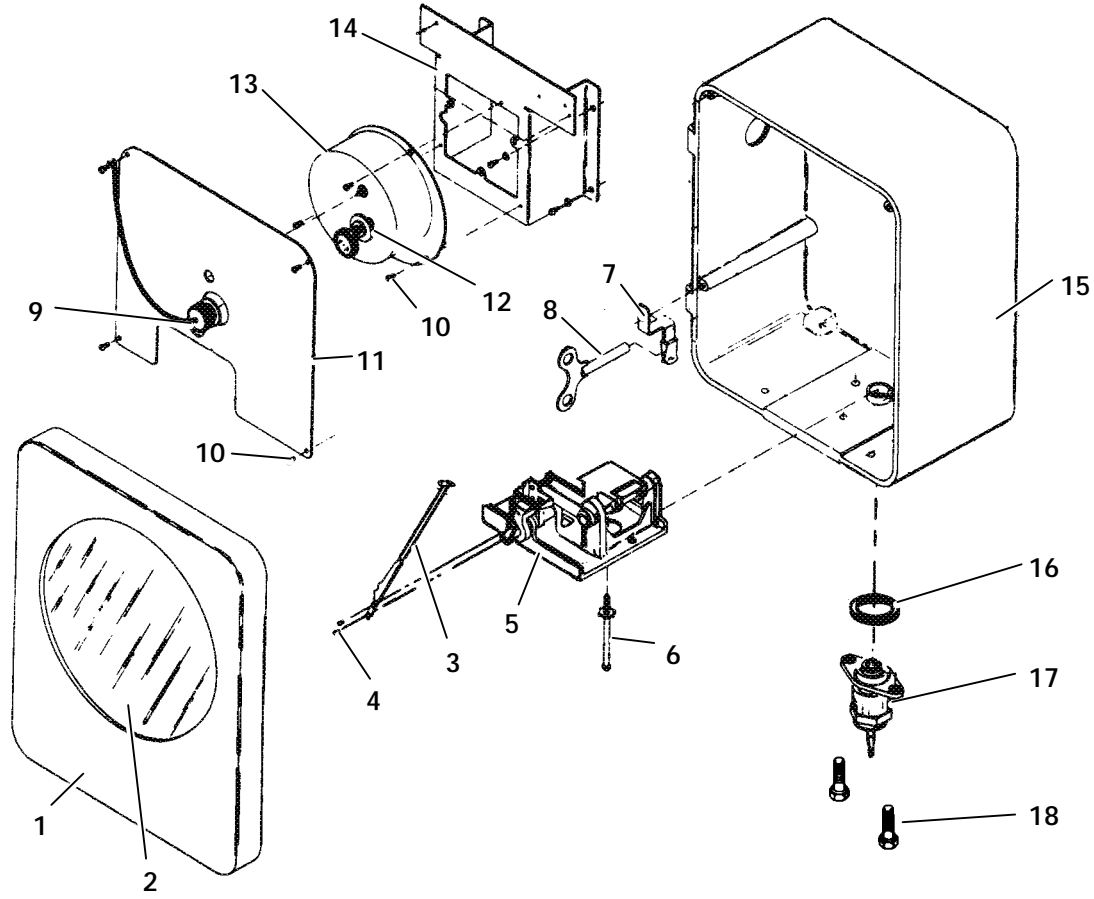


UNITS WITH BOLTED PANELS

40	69NT40-614	Grille, Top	1
41	66U1-6832-1	Rivet, Blind, 5/16 Diameter, Grip Range – 1/8-1/4 (NSI)	A/R
42	69NT40-624-4	Panel Assembly, Upper – Includes:	1
NS	NSS	Drain Pan, Side	2
NS	NSS	Drain Pan, Center	1
43	69NT35-9744-3	Panel, Bottom (Provision for heat exchanger) 69NT40-464-7,-8,-10,-12 & 69NT40-461-7,-8	1
43	69NT35-9744-5	Panel, Bottom (USDA sensor port) 69NT40-464-5,-9,-15	1
44	69NT35-9744-2	Panel, Bottom (Provision for heat exchanger) 69NT40-464-7,-8,-10,-12 & 69NT40-461-7,-8	1
44	69NT35-9744-4	Panel, Bottom (USDA sensor port) 69NT40-464-5,-9,-15	1
45	69NT35-5843	Cover, Sensor Port 69NT40-464-5,-9,-15	1
46	66U1-2403	Screw, Machine, Truss Head, #10-24 x 1/2 lg – SST (NSI)	19
47	69NT35-2692	Washer, Fender, #10 x 1.00 OD – SST (NSI)	19
48	66U1-6832-6	Rivet, Blind, 1/4 Diameter, Grip Range – 1/8-3/16 (NSI)	A/R
49	66U1-6832-3	Rivet, Blind, 1/4 Diameter, Grip Range – 3/16-1/4 (NSI)	A/R
NS	66U1-8075-F25	Gasket (25 ft, Cut to length)	A/R

ITEM	PART NO.	DESCRIPTION	QTY
------	----------	-------------	-----

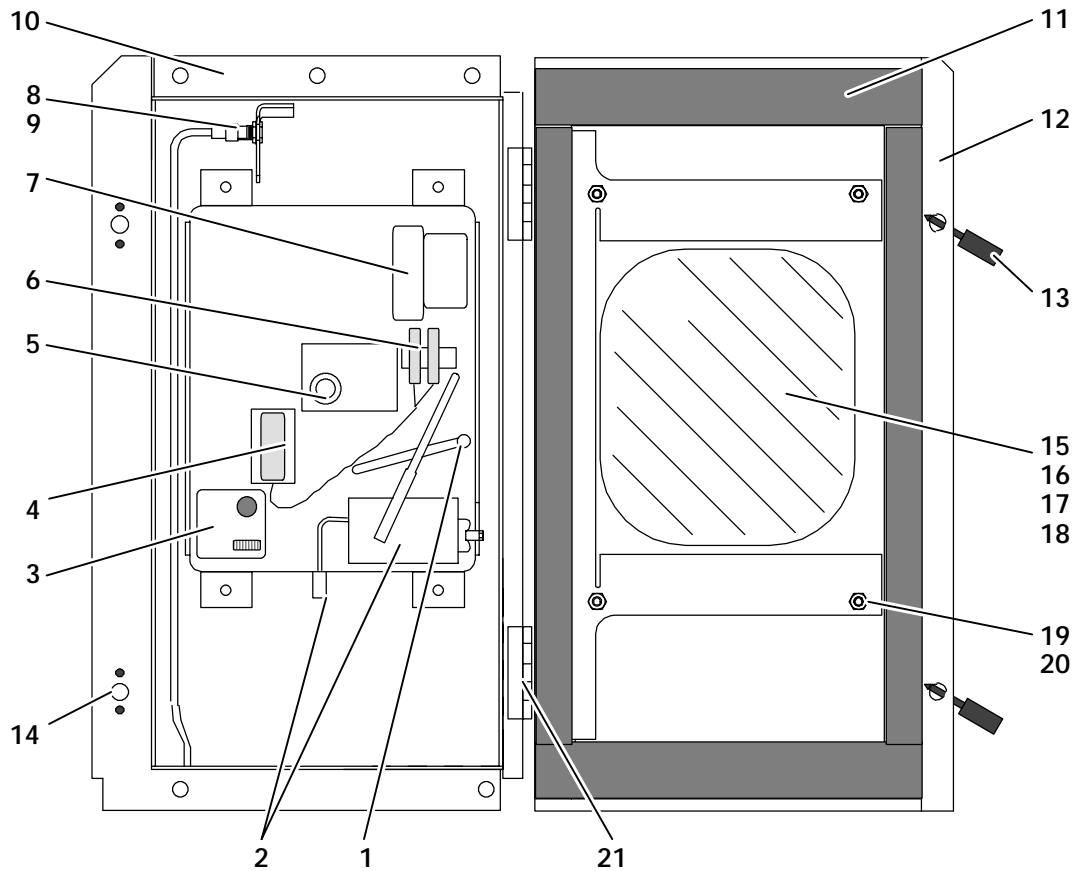
3.10 RECORDING THERMOMETER (PARTFLOW)



-	12-01076-00	Recording Thermometer (NSI) – Includes:	-
1	09-00265-00	Cover Assembly (Bottom Latch) – Includes:	1
NS	09-00100-01	Seal, Cover – Rubber	1
NS	09-00100-02	Gasket, Cover Glass	1
2	09-00101	Glass, Cover	1
NS	09-00102	Catch Assembly, Cover	2
3	09-00104-05	Stylus Kit – Includes:	1
4	NSS	Screw, Round Head, #2-56 x 3/16 lg	2
5	09-00147	Mechanism Assembly	1
6	09-00112	Push Rod (Includes Setscrews)	1
7	09-00115	Clip, Key Mounting	1
8	09-00114	Key, Clock Winding	1
9	09-00119	Nut and Chain, Chart (Sonceboz Clock)	1
9	09-00180-00	Nut and Chain, Chart (Gluck Clock)	1
10	PL	Screw, Round Head #6-32 x 5/16	7
11	09-00116	Platen, Chart	1
12	09-00118	Flange, Chart Drive (Sonceboz)	1
12	09-00180-01	Flange, Chart Drive (Gluck)	1
13	09-00123	Clock, 31 Day, CCW (Counterclockwise)	1
14	09-00132	Stand, Mounting, Chart Drive (NSI)	1
15	09-00267-00	Case (Top Hinge)	1
16	09-00137	O-Ring, Element Flange	4
17	09-00209	Element, 9 ft lg – Includes:	1
NS	09-00222	Sensor, Thermistor (Accessory 344 and Jack) – 15 ft lg	1
NS	22-02243	Pin (Use with Partlow Thermister Assembly)	3
18	09-00136	Screw, Flange (NSI)	2
NS	09-00128	Charts _F – 31 Day (Box of 50) (-20_F to +80_F)	A/R
NS	09-00128-01	Charts _C – 31 Day (Box of 50) (-25_C to +25_C)	A/R

ITEM	PART NO.	DESCRIPTION	QTY
------	----------	-------------	-----

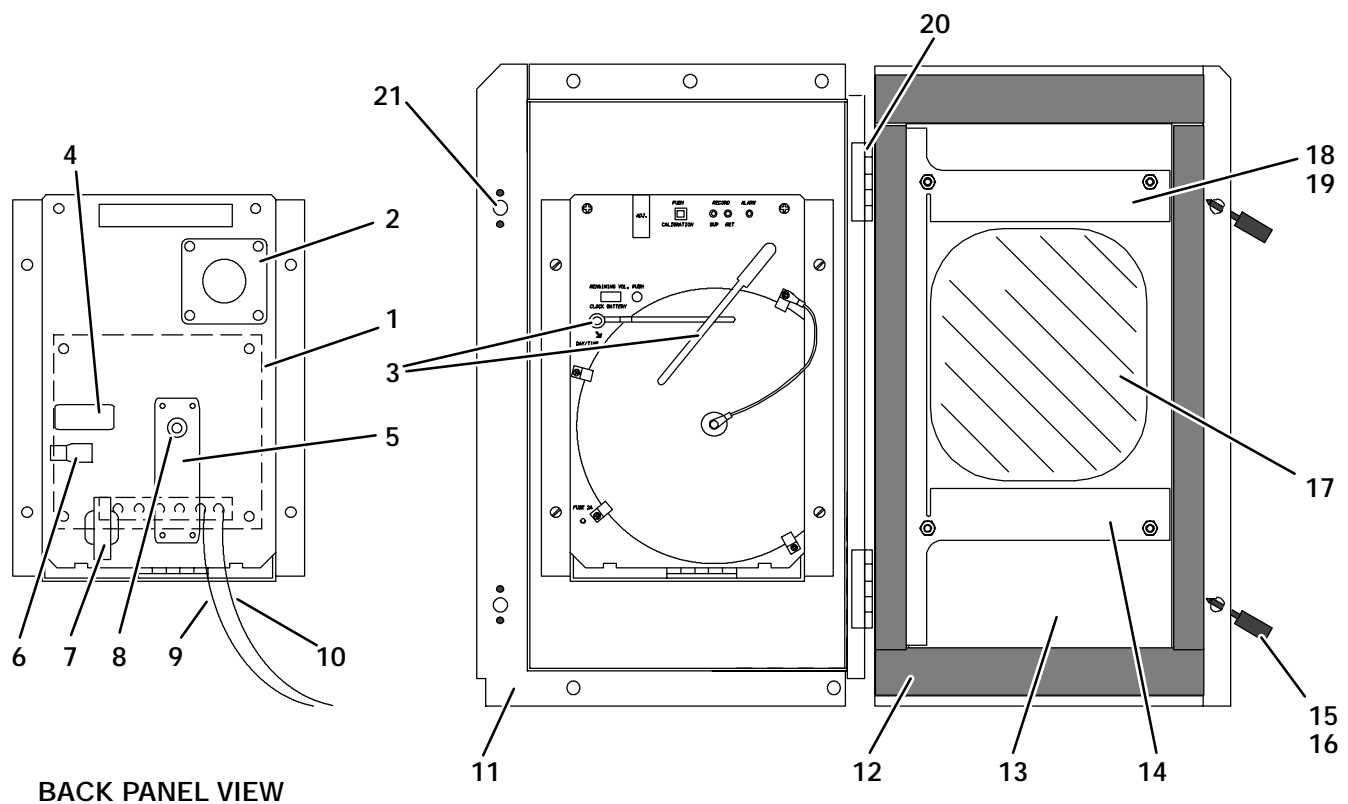
3.11 RECORDING THERMOMETER (SAGINOMIYA)



-	12-01094-00	Recording Thermometer – Includes:	-
1	09-00324-00	Stylus, Lift Arm	1
2	09-00320-00	Element Assembly (9 ft.) (2.74 M)	1
3	09-00321-00	Voltage Indicator	1
4	PL	Battery (Mallory R14P/S 1.5 vdc)	1
5	09-00326-00	Shaft, Chart	1
6	09-00329-00	Block, Terminal (NSI)	1
7	09-00322-00	Timer (31 Day)	1
NS	09-00323-00	Plate, Recorder	1
NS	09-00325-00	Nut, Chart (Male)	1
8	69NT40-402-1	Sensor Assembly, Return Temperature – Includes:	1
NS	12-01095-00	Sensor, Thermistor	1
9	22-02370-00	Jack, Phono	1
10	69NT41-754-1	Box Assembly (NSI)	1
11	42-01098-00	Gasket, Door	1
12	69NT41-844	Door Assembly	1
13	66U1-6811-10	Retaining Screw	2
NS	34-01226-00	Washer, Retaining	2
14	34-01142-01	Receptacle	2
15	PL	Window, Lexan (8.37 x 10 x .12 inches thick)(212 x 254 x 3 mm)	1
16	PL	Gasket, Window	1
17	69NT35-9343	Bracket, Window Mounting (NSI)	1
18	69NT35-5492	Plate, Window Mounting	2
19	PL	Nut, Hex Head, #10-32 – SST	4
20	PL	Washer, Lock, #10 - SST	4
21	69NT40-392	Hinge Assembly	2
NS	09-00128-01	Charts _C – 31 Day (Box of 50) (-25_C to +25_C)	A/R
NS	09-00128	Charts _F – 31 Day (Box of 50) (-20_F to +80_F)	A/R

ITEM	PART NO.	DESCRIPTION	QTY
------	----------	-------------	-----

3.12 RECORDING THERMOMETER (FUJI KIKI)

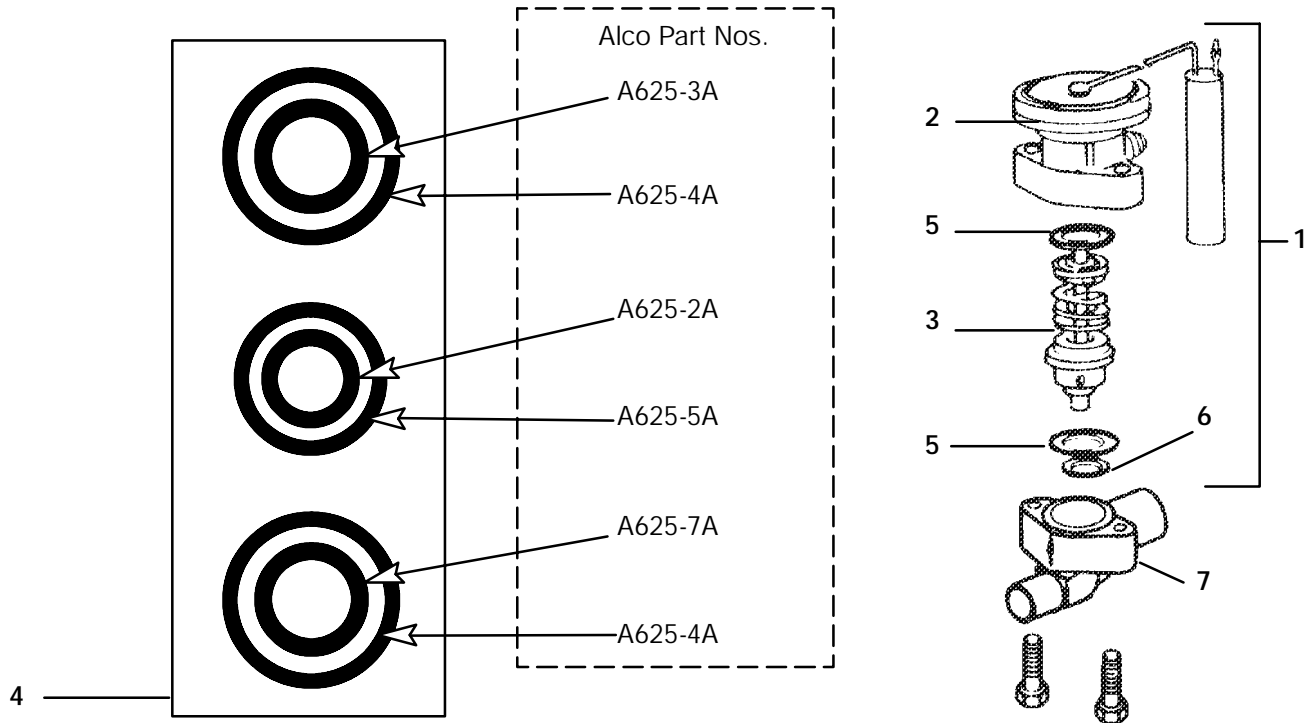


BACK PANEL VIEW

-	12-01099-00	Recording Thermometer (NSI) – Includes:	-
1	09-00350-00	Printed Circuit Board	1
2	09-00351-00	Servo Assembly	1
3	09-00355-00	Stylus Assembly	1
4	PL	Battery (Mallory R14P/S 1.5 vdc)	1
5	09-00352-00	Clock, Quartz	1
6	09-00354-00	Fuse (2 amp)	1
7	09-00353-00	Transformer	1
8	09-00356-00	Nut, Chart	1
9	09-00358-00	Sensor, Thermistor (RRS)	1
10	09-00357-00	Sensor, Thermistor (SRS)	1
11	69NT41-398-1	Box Assembly (NSI)	1
12	42-01098-00	Gasket, Door	1
13	69NT41-378	Door Assembly	1
14	69NT35-5492	Plate Assembly	1
15	66U1-6811-10	Retaining Screw	2
16	34-01226-00	Washer, Retaining	2
17	PL	Window, Lexan (8.37 x 11.88 x .12 inches thick) (212 x 301.75 x 3 mm)	1
18	PL	Gasket, Window	1
19	69NT35-5412	Angle, Window Mounting (NSI)	2
20	69NT40-392	Hinge Assembly	2
21	34-01142-01	Receptacle	2
NS	09-00128-01	Charts _C – 31 Day (Box of 50) (-25_C to +25_C)	A/R
NS	09-00128	Charts _F – 31 Day (Box of 50) (-20_F to +80_F)	A/R
NS	69NT40-562	Cable Assembly (Recorder to Main Printed Circuit Board) (NSI)	1

ITEM	PART NO.	DESCRIPTION	QTY
------	----------	-------------	-----

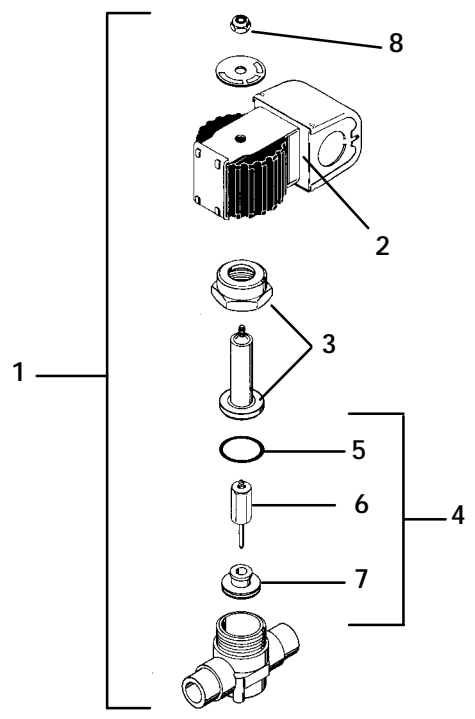
3.13 THERMOSTATIC EXPANSION VALVE -- Alco



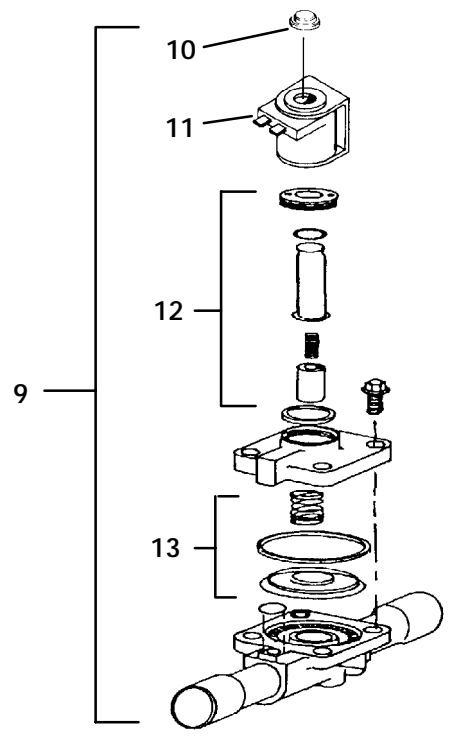
1	14-01104-02	Kit, Repair (69NT20) – Includes:	1
1	14-01104-03	Kit, Repair (69NT40) – Includes:	1
2	NSS	Power Head Assembly and Gasket, Item 5	1
3	NSS	Cage Assembly and Gasket, Item 6	1
4	66U1-6225	Gasket Set, Universal – Includes:	1
5	NSS	Gasket, Body Flange A625-4A	2
6	NSS	Gasket, Seat – A625-2A	1
7	66U1-1214-13	Flange, Body (NSI)	1

ITEM	PART NO.	DESCRIPTION	QTY
------	----------	-------------	-----

3.14 SUCTION SOLENOID VALVE (69NT40 ONLY)



SPORLAN

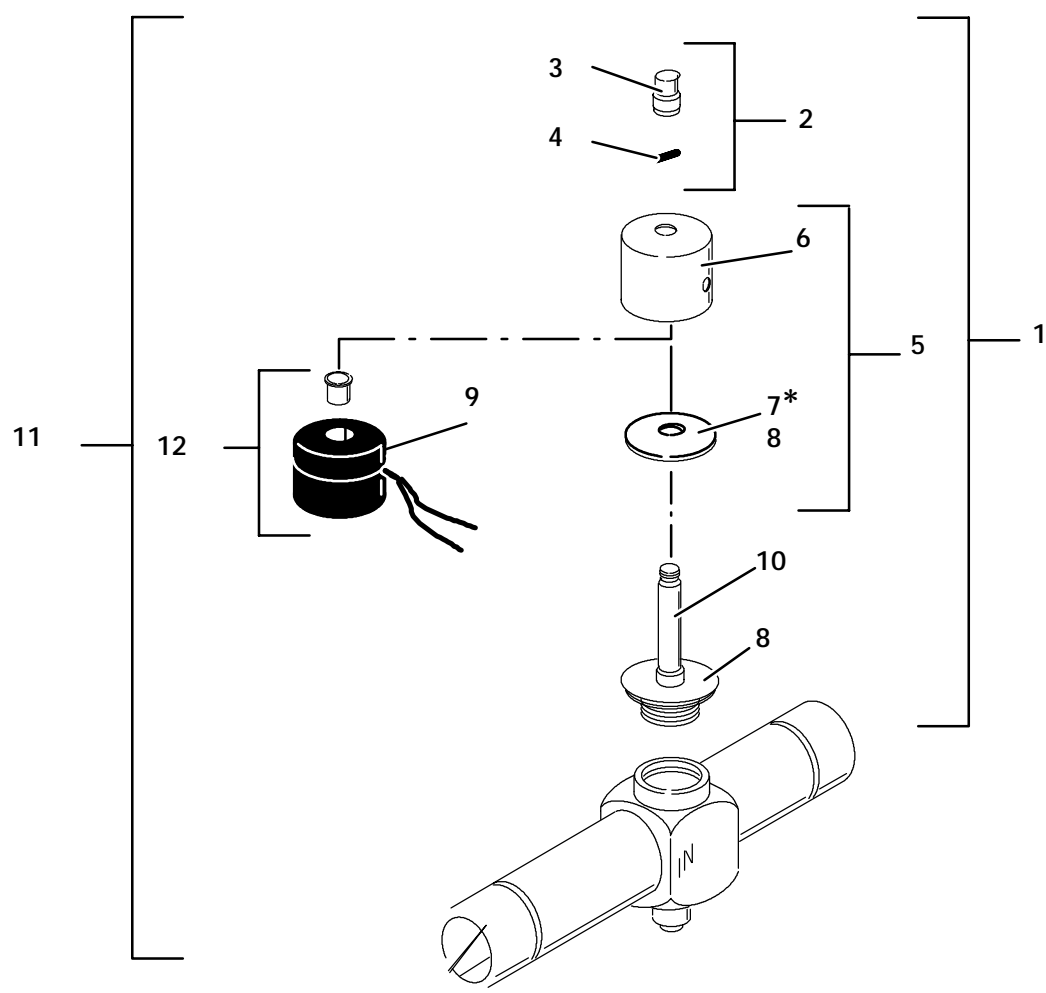


ALCO

1	14-01083	Solenoid Valve, Suction – Includes:	1
2	14-50010	Coil	1
3	NSS	Tube, Enclosing	1
4	14-50011	Kit, Repair – Includes:	1
5	NSS	Gasket	1
6	NSS	Stem and Plunger Assembly	1
7	NSS	Disc, Seat	1
8	34-50012-00	Screw (Special), Coil Hold Down	1
9	14-00192-00	Solenoid Valve, Suction – Includes:	1
10	17-40408-02	Cap, Snap	1
11	14-50027-00	Coil	1
12	14-50025-00	Kit, Repair	1
13	14-50026-00	Kit, Repair Diaphragm	1

ITEM	PART NO.	DESCRIPTION	QTY
------	----------	-------------	-----

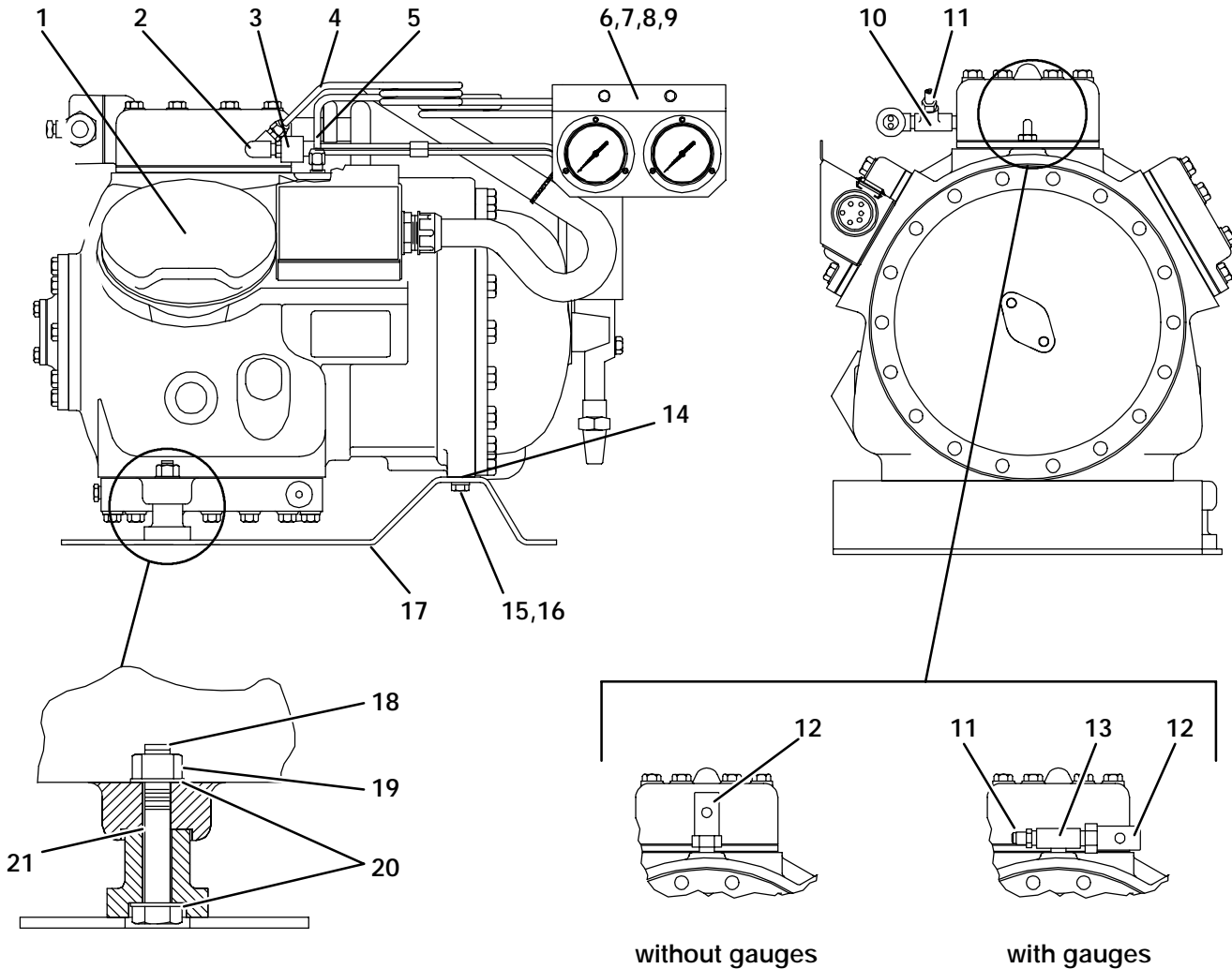
3.15 MODULATING SOLENOID VALVE



1	14-50021-01	Kit, Enclosing Tube & Coil Housing – Includes:	1
2	14-50021-03	Nut, Coil – Includes:	1
3	NSS	Nut, Coil	1
4	NSS	O-Ring, Coil Nut	1
5	14-50021-04	Housing, Coil – Includes:	1
6	NSS	Housing, Coil	1
*7	NSS	Plate, Coil Bottom	1
8	NSS	O-Ring, Coil Bottom Plate	1
9	NSS	Sleeve, Solenoid Coil	1
10	NSS	Tube Assembly, Coil Plate & Enclosing	1
11	14-01100-01	Valve, Modulating Solenoid – Includes:	1
12	14-50021-02	Coil, Solenoid – Includes:	1
9	NSS	Sleeve, Solenoid Coil	1

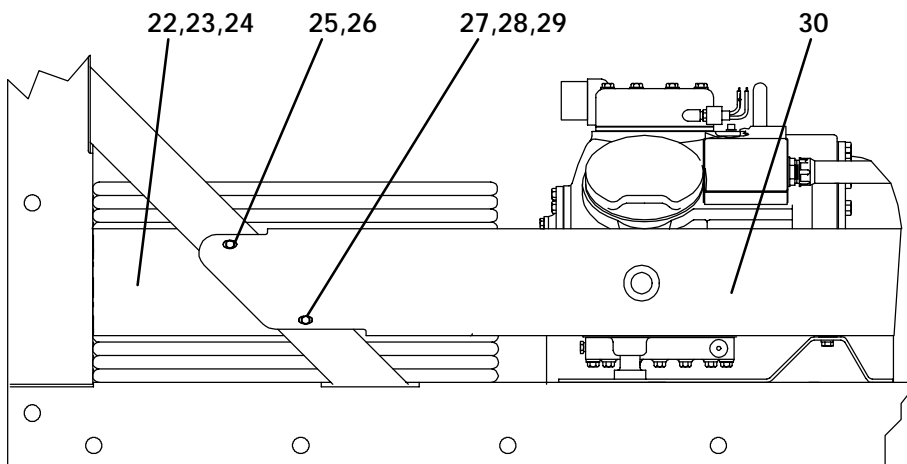
* – Item 7, Coil Bottom Plate is only supplied in Kit 14-50021-04 as a separate item for use on early style Enclosing Tube Assemblies.

3.16 COMPRESSOR MOUNTING AND GAUGES



COMPRESSOR FOOT CUTAWAY VIEW

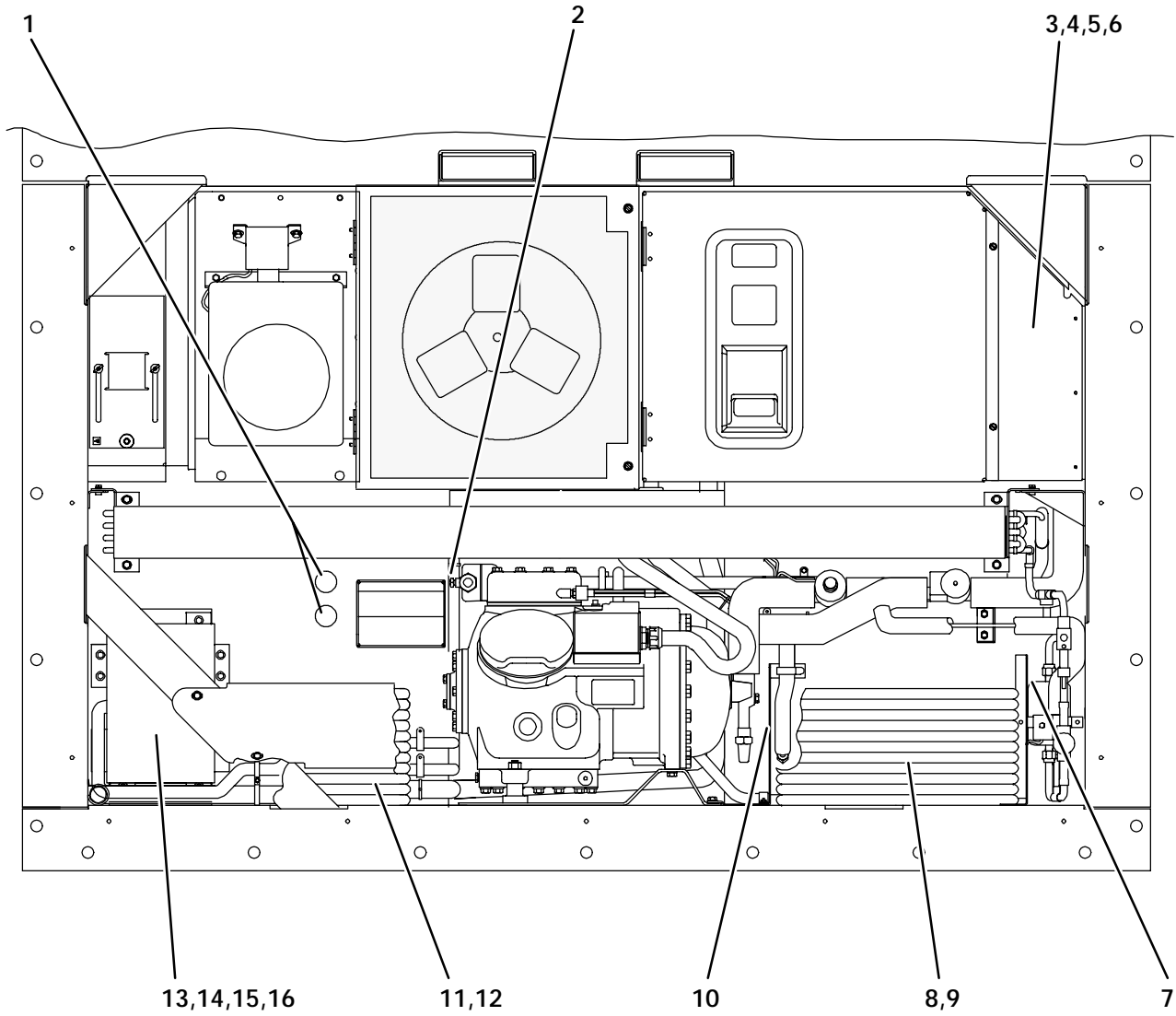
CENTER CYLINDER HEAD VIEW



UNIT SECTIONAL VIEW

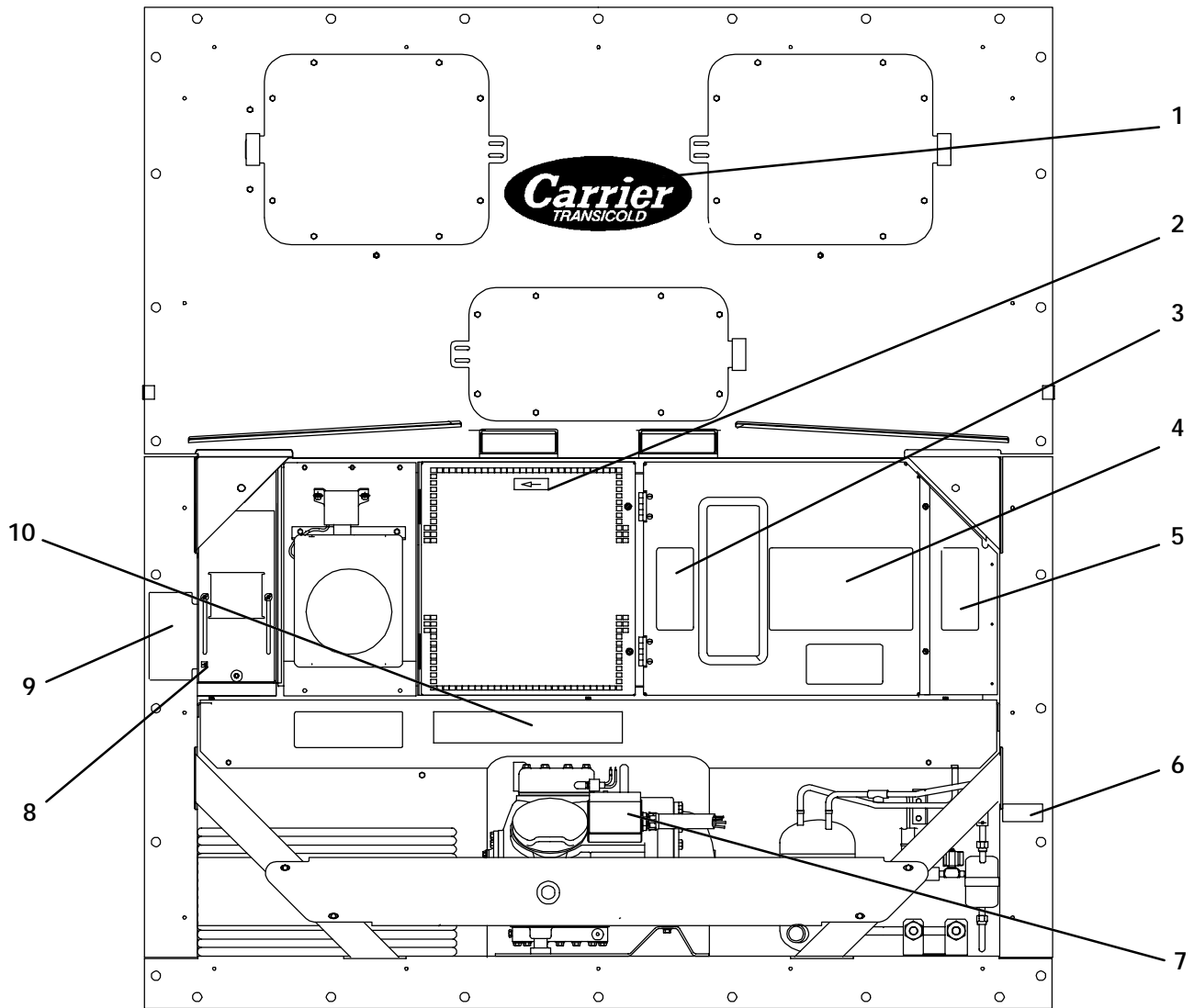
ITEM	PART NO.	DESCRIPTION	QTY
3.16 COMPRESSOR MOUNTING AND GAUGES			
1	-	Compressor – Refer to Section 4	-
2	14-01093-00	Snubber Assembly	1
3	66U1-6942-4	Switch, High Pressure	1
3	66U1-6942-6	Switch, High Pressure (Use with 41 CFM Compressor)	1
4	69NT41-543	Tube Assembly, High Pressure	1
5	69NT41-303-2	Tube Assembly, Low Pressure	1
5	69NT41-553	Tube Assembly, Low Pressure 69NT40-464-3, -4	1
6	69NT40-942	Stiffener Assembly	1
NS	PL	Screw, Hex Head, #10-24 x 3/4 lg – SST	2
NS	PL	Washer, Flat, #10 – SST	2
7	69NT40-912	Bracket Assembly, Gauge – Optional	1
8	12-01124-00	Gauge, Suction Pressure – Optional	1
9	12-01125-01	Gauge, Discharge Pressure – Optional	1
10	CA21JA051	Tee, 1/4 NPT (NSI)	1
11	06DA403-844	Valve Assembly, Core, Check – Brass	2
12	14-00195-02	Valve, Low Side Pressure Relief	1
NS	-	Valve, High Side Pressure Relief – Refer to Section 3.6	-
13	40-00249-01	Tee, Male, 1/4 fpt x 1/4 fpt x 1/4 mpt – Brass (NSI)	1
14	69NT35-6132	Protector (Compressor to Compressor Base)	1
15	PL	Washer, Lock, 3/8 – SST	2
16	PL	Capscrew, Hex Head, 3/8-16 x 1-1/4 lg – SST	2
17	69NT43-108	Base, Compressor	1
NS	66U1-5361-7	Bolt, Hex Head, 3/8-16 x 1.00 lg – SST (NSI)	7
NS	66U1-5321-5	Washer, Flat, 3/8 – SST (NSI)	7
NS	AU11JR241	Washer, Lock, 3/8 – SST	7
NS	58-50013-00	Washer, Mylar, 1/2 ID x 1.00 OD	7
18	PL	Capscrew, 7/16-14 x 2-3/4 lg – SST	2
19	PL	Locknut, 7/16-14 – SST	2
20	PL	Washer, Flat, 7/16 – SST	4
21	58-50013-01	Washer, Mylar, 1/2 ID x 1-1/8 OD	2
22	69NT35-3573	Panel, Guard 69NT20-284-1, -2 & 69NT40-464-1, -2, -5, -8,-12,-15 & 69NT40-461-7,-8 (NSI)	1
23	PL	Screw, Hex Head, #10-24 x 3/4 lg – SST	1
24	PL	Washer, Flat, #10 – SST	1
25	PL	Bolt, Hex Head, 5/16-18 x 1.00 lg – SST	1
26	PL	Washer, Flat, 5/16-18 – SST	1
27	PL	Capscrew, Hex Head, 1/4-20 x 1-1/2 lg – SST	A/R
28	PL	Locknut, 1/4-20 – SST	A/R
29	66U1-5321-7	Washer, Flat, 1/4 – SST	A/R
30	69NT35-3104-1	Guard, Compressor	1

3.17 VOLTAGE OPTION AND POWER TRANSFORMER



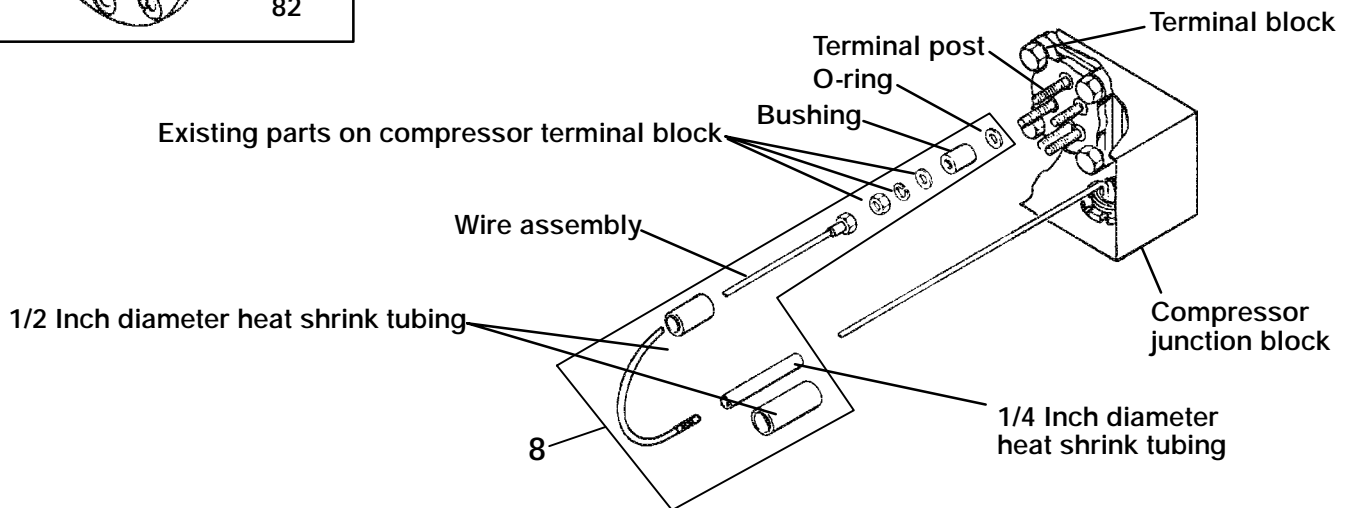
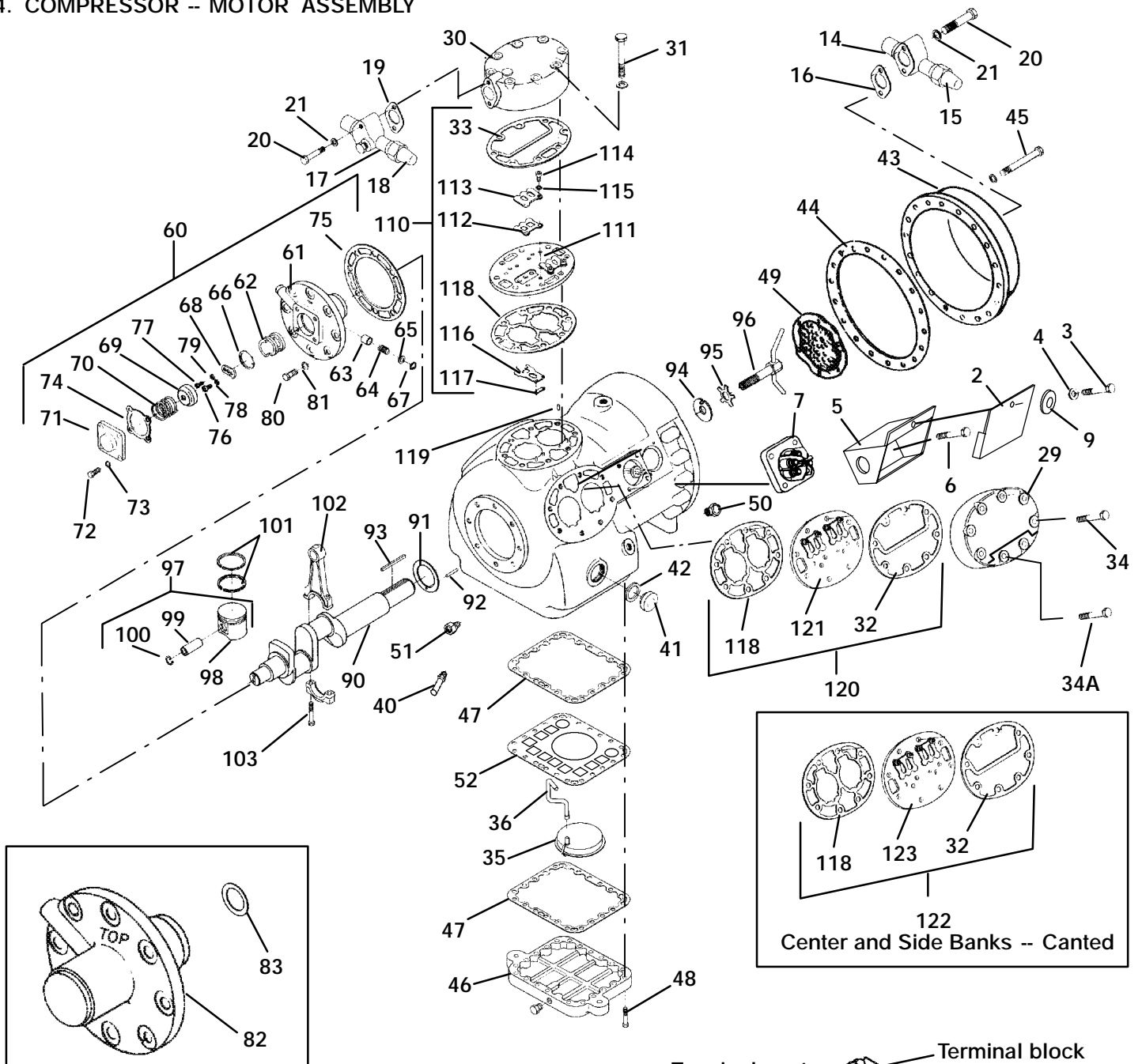
ITEM	PART NO.	DESCRIPTION	QTY
3.17 VOLTAGE OPTION AND POWER TRANSFORMER			
1	58-01214-00	Plug, Hole, Dupont Zytel – Black (For 3/8 to 13/32 diameter hole)	A/R
2	58-01213-00	Plug, Hole, Nylon – Black (For 1/4 diameter hole in doghouse wall)	A/R
3	69NT35-3253-SV	Cover, Voltage Selector Switch – Includes:	1
4	66U1-2803	Hinge (Cut to length)	1
5	66U1-9102-2	Rivet	3
6	PL	Screw, #10 Phillips	4
7	69NT35-6153	Partition Assembly, Right Hand (NSI) 69NT20-284 & 69NT40-464-4	1
8	66U1-9782	Cable, Power (460 vac Extra Heavy Duty Yellow) (NSI)	1
8	66U1-9782-1	Cable, Power (460 vac Extra Heavy Duty Black) (NSI)	1
		69NT40-464-12,-15 & 69NT40-461-7	1
8	66U1-5951	Cable, Power (460 vac Heavy Duty Black) (NSI)	1
9	76-00390	Plug, Power (460 vac) 69NT40-464-3	1
9	22-02378-00	Plug, Power (460 vac) - MENNEKES	1
NS	22-02324-01	Bushing (for P/N 22-02378-00) (NSI)	4
10	69NT20-533	Partition Assembly, Left Hand (NSI) 69NT20-284 & 69NT40-464-4	1
11	66U1-6772	Cable, Power (230 vac) (NSI)	1
12	22-02375-00	Plug, Power (230 vac) 69NT40-464-3	1
12	22-02322	Plug, Power (230 vac) (NSI) 69NT20-284 & 69NT40-464-1,-4	1
13	76-00365-01	Transformer, Power - Optional	1
14	69NT35-777	Bracket Assembly, Transformer (NSI) 69NT20-284 & 69NT40-464-3,-4	1
15	34-00667-12	Locknut, Hex Head, 5/16-18 – SST (NSI) } Used to mount trans-	4
16	34-01181-01	Washer, Flat, 5/16 – SST (NSI) } former bracket assembly	4

3.18 LABELS AND DECALS



ITEM	PART NO.	DESCRIPTION	QTY
3.18 LABELS AND DECALS			
1	62-02531-00	Decal, Carrier Transicold	1
1	62-03642-00	Decal, Carrier Transicold 69NT40-464-3	1
2	66U1-8912	Label, Direction Arrow	1
3	69NT35-3164	Label, Fan Warning 69NT20-284-1,-2 & 69NT40-464,-2,-8,-15 & 69NT40-461-7,-8	1
3	69NT35-5644	Label, Fan Warning 69NT20-284 & 69NT40-464-1	1
3	69NT35-1288	Label, Fan Warning (NSI) 69NT40-464-12	1
4	69NT35-5524	Label, Operating Instruction (NSI) 69NT20-284-3 & 69NT40-464,-2,-5,-7,-8,-9,-15 & 69NT40-461-7,-8	1
4	69NT35-8404	Label, Operating Instruction (NSI) 69NT20-284 & 69NT40-464-1,-4	1
4	69NT35-5834	Label, Operating Instruction 69NT40-464-3	1
4	69NT35-9024	Label, Operating Instruction (NSI) 69NT20-284-1,-2 & 69NT40-464-10	1
4	69NT35-1278	Label, Operating Instruction (NSI) 69NT40-464-12	1
5	69NT35-8143	Label, Voltage Selector (VS) (NSI) 69NT20-284-3 & 69NT40-464,-2,-5,-7,-8,-9,-15 & 69NT40-461-7,-8	1
5	69NT35-6253	Label, Voltage Selector (VS) (NSI) 69NT20-284 & 69NT40-464-1,-4	1
5	69NT35-5853	Label, Voltage Selector (VS) 69NT40-464-3	1
6	66U1-7471	Label, Charge with R-12	1
7	69NT35-3842	Label, Compressor – Frost	1
7	69NT35-5402	Label, Compressor – Frost 69NT40-464-3	1
7	69NT35-3842-4	Label, Compressor – Frost 69NT40-464-4	1
8	66CH1-1002-33	Label, Arrow (NSI)	1
9	69NT35-5323	Label, Air Exchange (NSI) 69NT20-284-1,-2, -3 & 69NT40-464,-2,-5,-7,-8,-9,-10,-15 & 69NT40-461-7,-8	1
9	69NT35-6263	Label, Air Exchange (NSI) 69NT20-284 & 69NT40-464-1,-4	1
9	69NT35-5883	Label, Air Exchange (NSI) 69NT40-464-3	1
9	69NT35-2387	Label, Air Exchange (NSI) 69NT40-464-12	1
10	69NT35-5314	Label, Warning 69NT40-464-3 (NSI)	1
10	69NT35-4773	Label, Warning (NSI)	1
NS	69NT20-373-103	Plate Assembly, Schematic & Diagram (NSI) 69NT20-284	1
NS	69NT20-373-100	Plate Assembly, Schematic & Diagram (NSI) 69NT40-464	1
NS	69NT20-373-102	Plate Assembly, Schematic & Diagram (NSI) 69NT40-464-1	1
NS	69NT20-373-107	Plate Assembly, Schematic & Diagram (NSI) 69NT40-464-2	1
NS	69NT20-373-108	Plate Assembly, Schematic & Diagram (NSI) (Units with S/N 90105284 thru 90105383) 69NT40-464-8	1
NS	69NT20-373-111	Plate Assembly, Schematic & Diagram (NSI) (Units starting with S/N 90105384) 69NT40-464-8	1
NS	69NT20-373-112	Plate Assembly, Schematic & Diagram (NSI) 69NT40-464-3	1
NS	69NT20-373-113	Plate Assembly, Schematic & Diagram (NSI) 69NT20-284-1,-2	1
NS	69NT20-373-116	Plate Assembly, Schematic & Diagram (NSI) 69NT40-464-4	1
NS	69NT20-373-117	Plate Assembly, Schematic & Diagram (NSI) 69NT40-464-5	1
NS	69NT20-373-126	Plate Assembly, Schematic & Diagram (NSI) 69NT20-284-3	1
NS	69NT20-373-130	Plate Assembly, Schematic & Diagram (NSI) 69NT40-464-9,-15	1
NS	69NT20-373-131	Plate Assembly, Schematic & Diagram (NSI) 69NT40-464-10	1
NS	69NT20-373-132	Plate Assembly, Schematic & Diagram (NSI) 69NT40-464-7 & 69NT40-461-7,-8	1
NS	69NT20-373-139	Plate Assembly, Schematic & Diagram (NSI) 69NT40-464-12	1

4. COMPRESSOR -- MOTOR ASSEMBLY



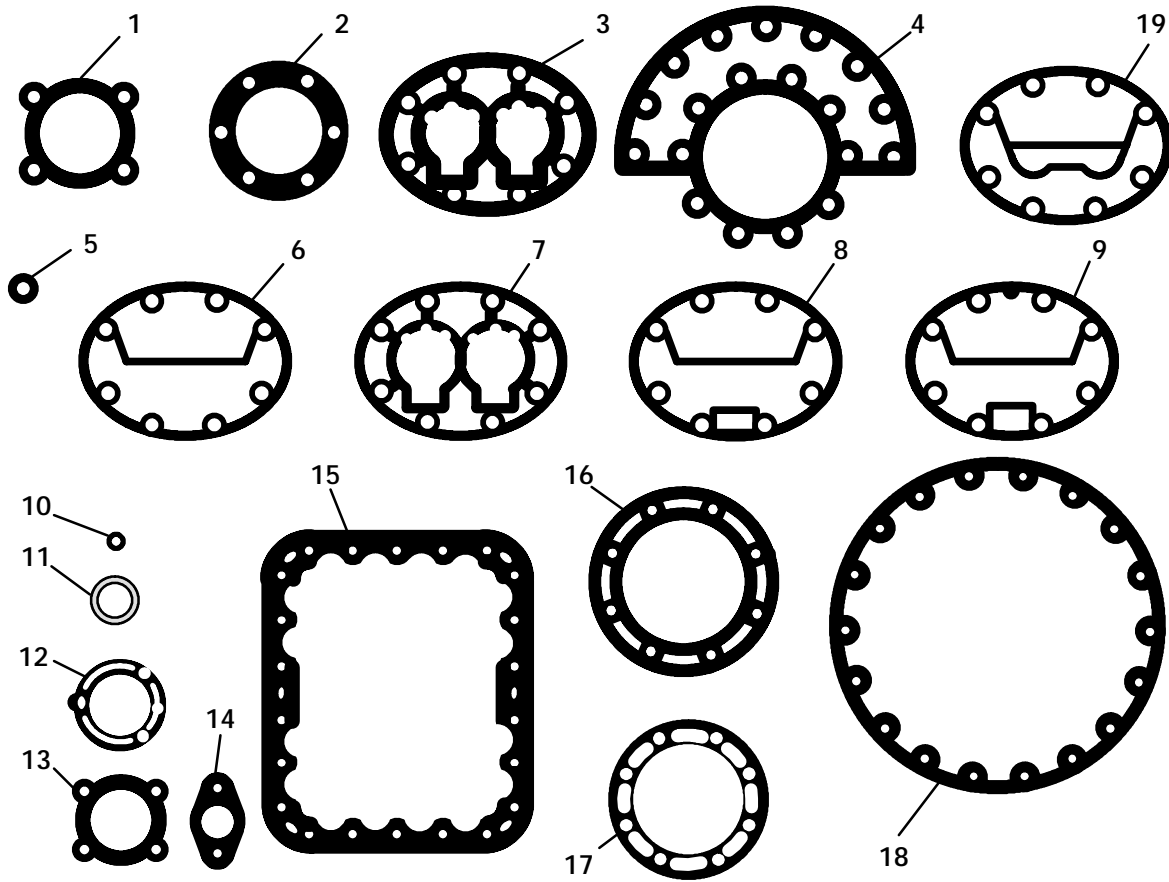
ITEM	PART NO.	DESCRIPTION	QTY
4.1 SERVICE REPLACEMENT COMPRESSOR			
1	18-00043-08	Compressor, 28 CFM, 460 vac/3 ph/60 hz 69NT20-284,-1,-2	1
1	18-00043-09	Compressor, 28 CFM, 230/460 vac/3 ph/60 hz 69NT40-284-3	1
1	18-00043-16	Compressor, 37 CFM, 460 vac/3 ph/60 hz 69NT40-464-3	1
1	18-00043-06	Compressor, 37 CFM, 460 vac/3 ph/60 hz 69NT40-464-4,-12	1
1	18-00043-07	Compressor, 37 CFM, 230/460 vac/3 ph/60 hz 69NT40-464,-1,-2,-5,-8,-15	1
1	18-00043-19	Compressor, 41 CFM, 460 vac/3 ph/60 hz 69NT40-464-10	1
1	18-00043-20	Compressor, 41 CFM, 230/460 vac/3 ph/60 hz 69NT40-464-7,-9	1
1	18-00048-21	Compressor, 41 CFM, 230/460 vac/3 ph/60 hz 69NT40-461-7,-8	1
4.2 TERMINAL MOUNTING AND JUNCTION BOX GROUP			
2	69NT20-2083	Cover, Junction Box	1
3	PL	Screw, Hex Head, #10-24 x 1/2 lg (Cover to box)	2
4	PL	Washer, Lock, #10 (Cover to box)	2
5	69NT20-513-SV	Junction Box (Located at front of compressor) – Includes:	1
2	69NT20-2083	Cover, Junction Box	1
5	69NT20-513-1SV	Junction Box (Located at rear of 230/460 vac compressor) – Includes:	1
2	69NT20-2083	Cover, Junction Box	1
6	PL	Screw, Pan Head, #10-32 x 3/8 lg (Box to compressor)	2
7	17-40093-02	Terminal, Compressor (5 Terminals)	1
7	17-40093-01	Terminal, Compressor (6 Terminals)	1
8	76-00355	Kit, Compressor Terminal Wiring	1
NS	76-00384	Kit, Compressor Terminal Wiring (Dual voltage to dual/single voltage)	1
NS	17-40075-05	Gasket, Terminal Plate	1
9	34-06053-05	Washer, Mylar, 13/64 ID x 39/64 OD	A/R
4.3 SERVICE VALVE GROUP			
14	14-01042-03	Valve, Suction Shut-Off, 1-1/8" ODS – Includes:	1
15	17-10812-00	Cap, Seal – Includes:	1
NS	17-10806-02	Gasket, Seal Cap	1
16	17-10811-05	Gasket, Suction Service Valve	1
17	14-01042-04	Valve, Discharge Shut-Off, 7/8 ODS – Includes:	1
18	17-10812-00	Cap, Seal – Includes:	1
NS	17-10806-02	Gasket, Seal Cap	1
19	17-10811-05	Gasket, Discharge Service Valve	1
20	17-40012	Bolt, Hex Head, 5/16-18 x 1-7/8 lg - SST	2
21	17-40013	Gasket, Bolt, 5/16	2
4.4 COMPRESSOR -- MOTOR BODY GROUP			
NS	–	Gasket Set – Refer to Section 4.8	–
29	17-21040	Cylinder Head – Side Bank (Shaved Head)	2
30	17-40016-01	Cylinder Head – Center Bank	1
31	17-40018	Screw, Hex Head – Center Head, 3/8-16 x 3 lg-SAE Grade 5	8
32	17-55001	Gasket, Cylinder Head – Side Bank (Standard)	2
33	17-55006	Gasket, Center Cylinder Head	1
34	17-40034	Screw, Hex Head, 3/8-16 x 2 lg – SAE Grade 5	12
34A	17-40037	Screw, Hex Head, 3/8-16 x 1 lg – SAE Grade 5	4
35	17-40020	Screen Assembly, Oil Filter	1
36	17-21062-00	Tube, Oil Suction	1
40	17-44011	Valve, Oil Relief	1

ITEM	PART NO.	DESCRIPTION	QTY
4.4 COMPRESSOR -- MOTOR BODY GROUP (CONTINUED)			
41	17-10218	Sight Glass Package, Oil Level – Includes:	1
42	17-10218-02	Gasket, Sight Glass	1
43	17-20004	Cover, Motor End (NSI)	1
44	17-40029-05	Gasket, Motor End Cover	1
45	PL	Screw, Hex Head, 7/16-14 x 1-1/4 lg – SAE Grade 5	18
46	17-40032	Plate, Bottom	1
47	17-40033-05	Gasket, Bottom Plate	2
48	17-40034	Screw, Hex Head, 3/8-16 x 2 lg – SAE Grade 5	22
49	17-20005	Strainer Assembly, Suction (NSI)	1
50	PL	Plug, Pipe, Oil Fill, 1/4	1
51	17-40042	Check Valve Assembly, Oil Return	1
52	17-21063-00	Plate, Screen Hold Down	1
NS	PL	Pipe Plug – (High & Low Pressure Connection & Oil Drain), 1/4-18 NPT	1
4.5 PUMP END GROUP			
60	17-40060	Bearing Head & Oil Pump Package (VANE) Consists of: (Used in 18-00043-06, -07, -08, -19, -20 Compressor)	1
61	NSS	Bearing Head and Oil Pump Assembly – Includes:	1
62	NSS	Pump Rotor	1
63	NSS	Pump Vane	2
64	17-40064	Plunger Vane Spring	2
65	17-40065	Plunger Vane Spring Guide	2
66	17-40068	Rotor Retaining Ring	1
67	17-40066	Retaining Ring, Plunger	2
68	17-40071	Oil Pump Drive Segment	1
69	NSS	Guide Vane, Oil Feed	1
70	17-40069	Vane Spring, Oil Feed	1
71	17-40076	Plate, Cover	1
72	17-40077	Screw, Hex Head, 5/16-18 x 3/4 lg – SAE Grade 5	4
73	17-40013	Gasket, Screw, 5/16	4
74	17-40075-05	Gasket, Cover Plate	1
75	17-40078-05	Gasket, Bearing Head	1
76	17-40074-01	Screw, Socket Head, 1/4-28 x 5/8 lg (Special)	1
77	17-40072	Screw, Socket Head, #10-32 x 1/2 lg (Special)	1
78	17-10715	Washer, Lock – Drive Segment, 1/4	1
79	17-40073	Washer, Lock – Drive Segment, #10	1
80	17-40037-05	Screw, Hex Head, Bearing Head, 3/8-16 x 1 lg – SAE Grade 5	8
81	17-40019	Gasket, Capscrew, 3/8	8
82	17-21070-00	Bearing Head & Oil Pump Package (GEAR) (Used in 18-00048-21 Compressor)	1
83	17-55009-01	Washer, Thrust (Used in 18-00048-21 Compressor)	1
4.6 CRANKSHAFT, ROD AND PISTON GROUP			
90	17-21036	Crankshaft (Used in 18-00043-08, -09 Compressor)	1
90	17-40049	Crankshaft (Used in 18-00043-06, -07, -16 Compressor)	1
90	17-21066-00	Crankshaft (Used in 18-00043-19, -20 Compressor)	1
90	N/A	Crankshaft (Used in 18-00048-21 Compressor)	1
91	17-40059	Washer, Thrust	1
92	17-40048	Pin, Spiral, 5/32 Diameter x 5/8 lg	1
93	34-01110	Key, Rotor Drive	1
94	17-10831	Washer, Rotor (NSI)	1
95	17-40046	Washer, Rotor Star, 5/8 (NSI)	1
96	17-40044	Tube Assembly, Equalizer (NSI)	1

ITEM	PART NO.	DESCRIPTION	QTY
4.6 CRANKSHAFT, ROD AND PISTON GROUP (CONTINUED)			
97	17-21065-01	Piston & Pin Pkg (Standard) (For 18-00043-08,--09 Compressors) – Includes:	6
97	17-21065-03	Piston & Pin Pkg (+0.020 inches) (For 18-00043-08,--09 Compressors) – Includes:	A/R
97	17-21064-01	Piston & Pin Pkg (Standard) (For 18-00043-06,--07 Compressors) – Includes:	6
97	17-21064-03	Piston & Pin Pkg (+0.020 inches) (For 18-00043-06,--07 Compressors) – Includes:	A/R
97	17-21061-00	Piston & Pin Pkg (Contoured Head – Standard) (For 18-00043-16 Compressor) – Includes:	6
97	17-44115-01	Piston & Pin Pkg (Standard) (For 18-00043-19,--20 Compressors) – Includes:	6
97	17-44115-20	Piston & Pin Pkg (+0.020 inches) (For 18-00043-19, -20 & 18-00048-21 Compressors) – Includes:	A/R
98	NSS	Piston	1
99	17-40052-00	Pin, Piston	1
100	17-40053	Retainer, Piston Pin	2
101	17-40055	Ring, Compression (For Standard & +0.020 inch Piston)	12
102	17-40056	Connecting Rod and Cap Assembly (Standard) – Includes:	6
102	17-55023	Connecting Rod and Cap Assembly (+0.010) – Includes:	A/R
NS	17-40057	Pin, Dowel	2
103	17-55008	Capscrew – Special	2
4.7 VALVE PLATE GROUP			
110	17-55007	Package, Valve Plate Assembly (Center Bank) – Includes:	1
NS	NSS	Plate Assembly, Valve – Includes:	1
111	NSS	Plate, Valve	1
112	17-40086	Valve, Discharge	2
113	17-40087	Valve, Stop Discharge	2
114	17-44113-00	Screw, Hex Head, 1/4-28 x 3/8 lg	4
115	17-10715	Washer, Lock, 1/4	4
116	17-40082	Valve, Suction	2
117	17-40083	Spring, Suction Valve Positioning	2
33	17-55006	Gasket, Cylinder Head	1
118	17-55002	Gasket, Valve Plate	1
120	17-55003	Package, Valve Plate Assembly (Side Bank) – Includes:	2
NS	NSS	Plate Assembly, Valve – Includes:	1
121	NSS	Plate, Valve	1
112	17-40086	Valve, Discharge	2
113	17-40087	Valve, Stop Discharge	2
114	17-44113-00	Screw, Hex Head, 1/4-28 x 3/8 lg	4
115	17-10715	Washer, Lock, 1/4	4
116	17-40082	Valve, Suction	2
117	17-40083	Spring, Suction Valve Positioning	2
32	17-55001	Gasket, Cylinder Head	1
118	17-55002	Gasket, Valve Plate	1
122	17-44112-01	Package, Valve Plate Assembly (Center and Side Banks -- Canted) (For Compressors 18-00043-16,--19,--20 & 18-00048-21) – Includes:	3
NS	NSS	Plate Assembly, Valve – Includes:	1
123	NSS	Plate, Valve	1
112	17-40086	Valve, Discharge	2
113	17-40087	Valve, Stop Discharge	2
114	17-44113-00	Screw, Hex Head, 1/4-28 x 3/8 lg	4
115	17-10715	Washer, Lock, 1/4	4
116	17-44111-00	Valve, Suction	2
117	17-40083	Spring, Suction Valve Positioning	2
32	17-55001	Gasket, Cylinder Head	1
118	17-55002	Gasket, Valve Plate	1
119	17-40057	Pin, Dowel (Valve Plate)	12

ITEM	PART NO.	DESCRIPTION	QTY
------	----------	-------------	-----

4.8 GASKET SET



–	17-55020-20	Gasket Set – Includes:	–
1	17-40005-05	Gasket, Suction Service Valve (4 Bolt)	1
2	17-44004-05	Gasket, Shaft Seal (05G)	1
3	17-44007-05	Gasket, Valve Plate (05G)	3
4	17-44001-06	Gasket, End Flange (05G) – Includes:	1
5	17-44014	Gasket, Flange Spacer (05G)	2
6	17-55001	Gasket, Cylinder Head – Right and Left (Standard)	2
7	17-55002	Gasket, Valve Plate	3
8	17-55006	Gasket, Cylinder Head – Center	1
9	17-55005	Gasket, Cylinder Head – Right and Left (Hot Gas Bypass Unloader)	2
10	17-40316	Gasket, Oil Supply Tube (O-Ring, 05D)	1
11	17-10218-02	Gasket, Sight Glass	2
12	17-40104-07	Gasket, Unloader Body	2
13	17-40075-05	Gasket, Oil Pump Cover	1
14	17-10811-05	Gasket, Service Valve (2 Bolt)	2
15	17-40033-05	Gasket, Bottom Plate	1
16	17-40078-05	Gasket, Pump End Bearing Head	1
17	17-40319-05	Shaft Seal (05D)	1
18	17-40029-05	Gasket, Motor End Cover	1
19	17-21042-00	Gasket, Cylinder Head (Suction Cutoff Unloader)	2